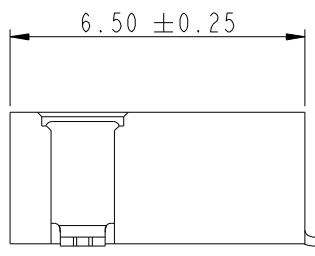
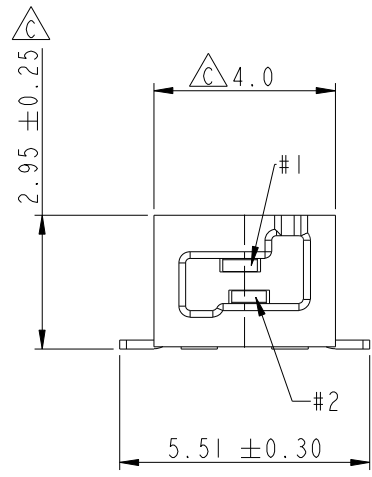
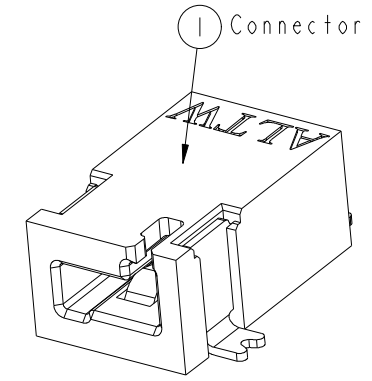
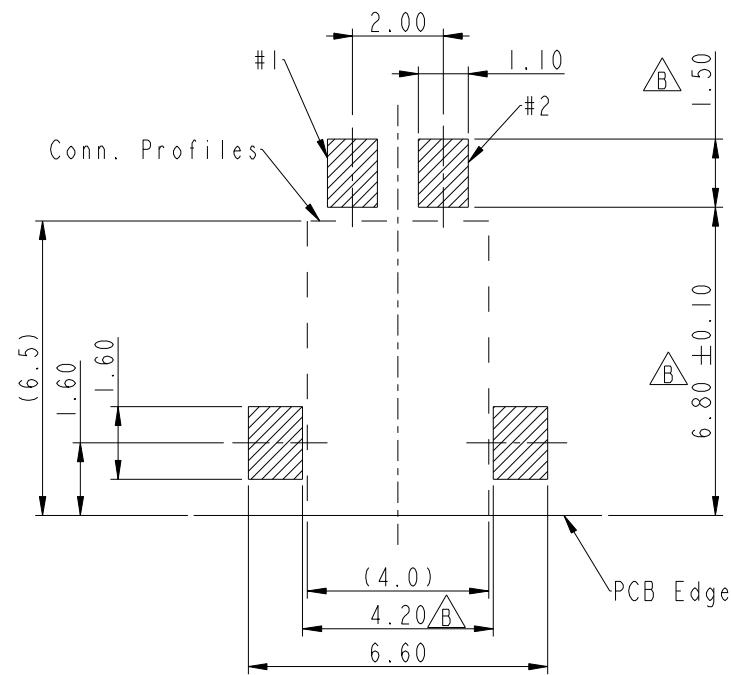
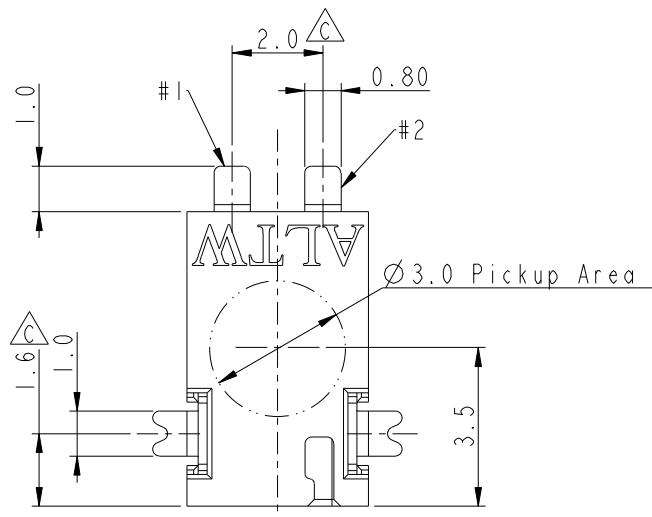
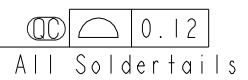
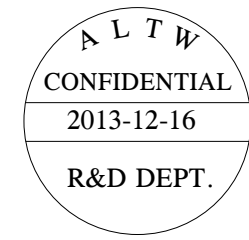


THIS DOCUMENT IS SUBJECT TO CHANGE WITHOUT NOTICE. IT IS CONFIDENTIAL AND A PROPERTY OF AMPHENOL LTW. DISCLOSURE TO THIRD PARTY HAS TO BE AUTHORIZED BY AMPHENOL LTW.

REV.	ECN NO.	DATE	SIGN	DESCRIPTION
A	Initial Release	2012-12-06	Fisher	Initial Release
B	LEN1310205	2013-01-11	Fisher	Change Plating and PCB Layout
C	LE313C0107	2013-12-16	Fisher	Change Plating and Dimensions



RECOMMENDED P.C.B. LAYOUT  
GENERAL TOLERANCE IS ±0.05



- Notes:
- \*  $\text{Ⓞ}$  Important Dimension To Check.
  - \* Housing: High temperature thermoplastic. UL94V-0, color is Natural white.
  - \* Terminal: Copper Alloy, Gold Plated on contact area. Tin plated on solder tails.
  - \* Solder Peg: Copper Alloy, Tin plated over Nickel.

UNIT: mm	$\text{⊕}$	$\text{⊕}$
TOLERANCE	.X	±0.25
	.XX	±0.1
	.XXX	±0.05
	ANGLES	±1°

TITLE SSL-1.1 DC JACK CONNECTOR 2-POS. W/O POST, SMT TYPE			
SCALE	SIZE	SHEET	OF
6:1	A4	1	2
REV.	WC-REV.	$\text{Ⓞ}$ : Inspection item	
C	.0		

**Amphenol LTW**  
安費諾亮泰企業股份有限公司

ITEM NO	SSL11-J2D00-000001	DRAWN BY	Fisher_Wang	DATE	2013-12-16
DWG NO	SSL11-J2D00-000001	CHECKED BY	Ivan_Lin	DATE	2013-12-16
CUSTOMER	ALTW	APPROVED BY	Kevin_Hu	DATE	2013-12-16

THIS DOCUMENT IS SUBJECT TO CHANGE WITHOUT NOTICE. IT IS CONFIDENTIAL AND A PROPERTY OF Amphenol LTW. DISCLOSURE TO THIRD PARTY HAS TO BE AUTHORIZED BY Amphenol LTW.

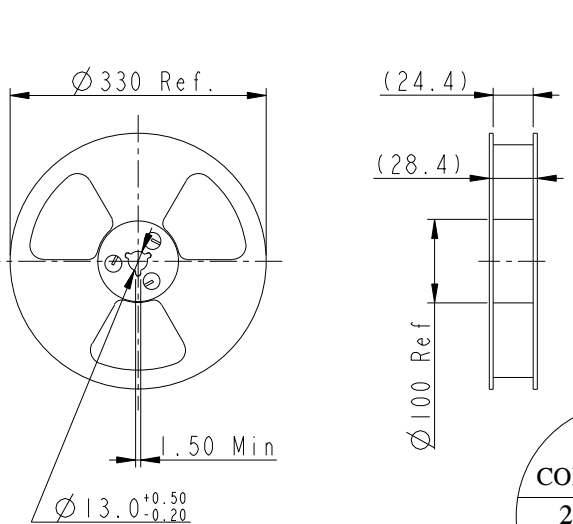
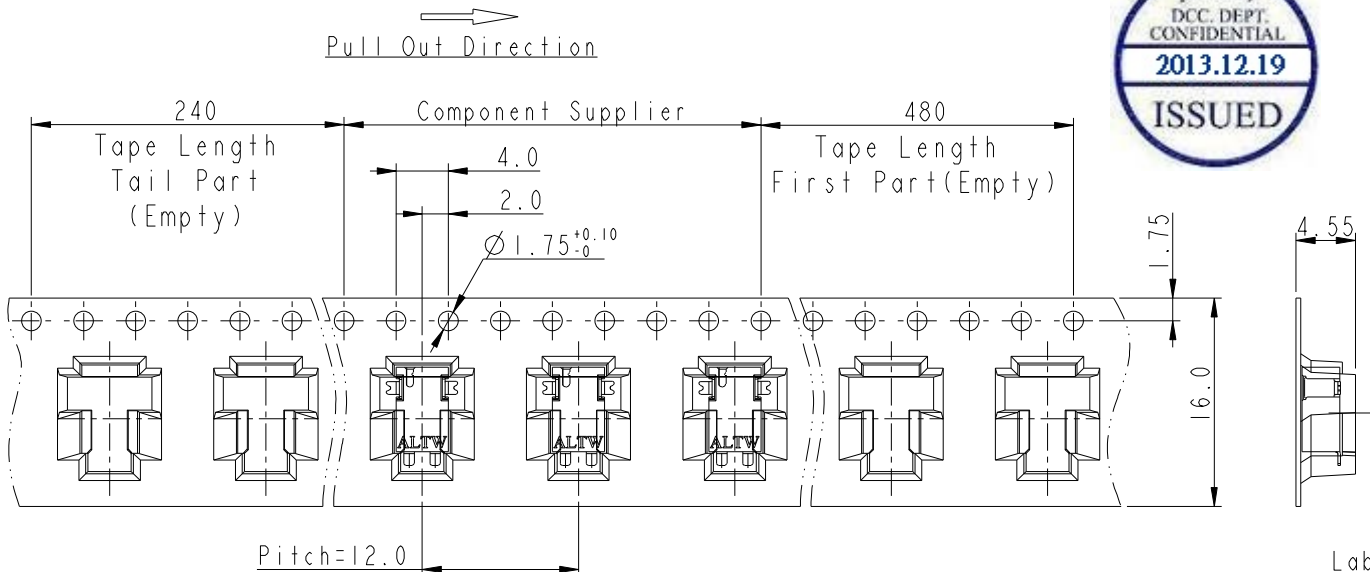


**MATERIALS**

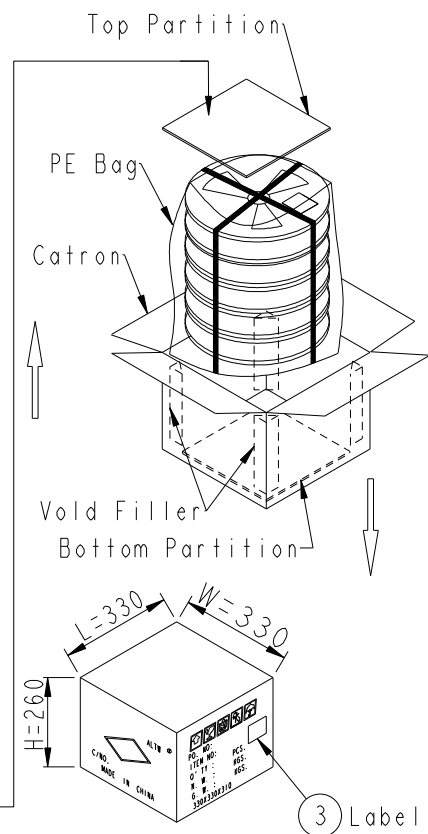
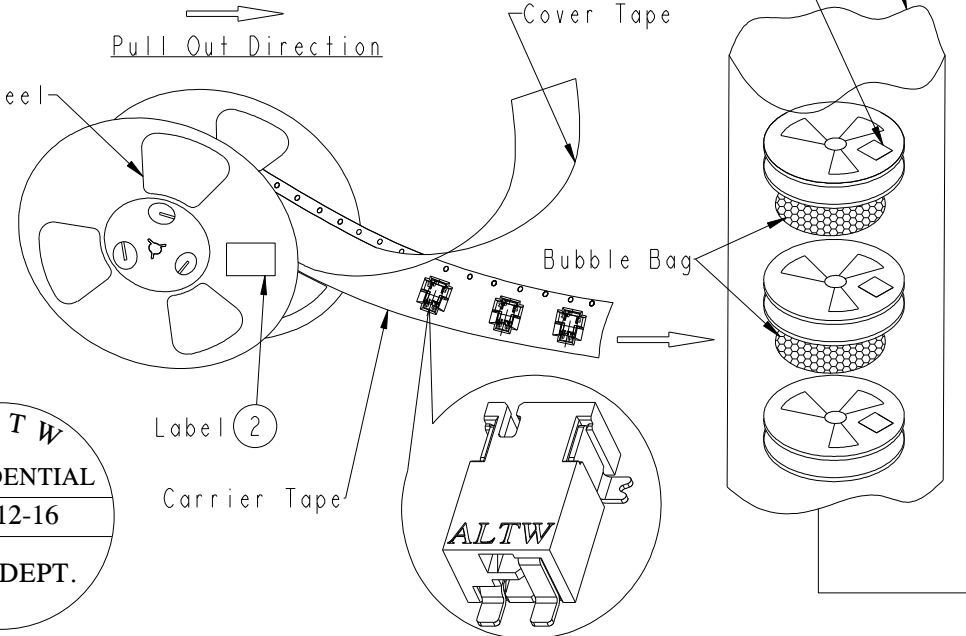
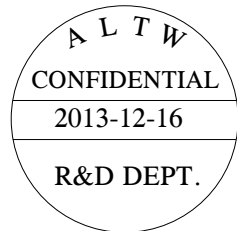
- 1. Carrier Tape: Polystyren (PS)
- 2. Cover Tape: Polystyren (PS)
- 3. Reel: Polystyren (PS)

**QUANTITY**

- 1. 1200Pcs Per Reel
- 2. 8 Reel Per Carton (9600Pcs/Carton)
- 3. Reference Standard: EIA-481-D
- 4. Net Weight: 1.2Kg/Carton.
- 5. Gross Weight: 6.0Kg/Carton.

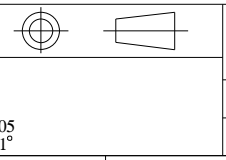


Reel For Carrier Tape



**UNIT:mm**

TOLERANCE	
.X	±0.25
.XX	±0.1
.XXX	±0.05
ANGLES	±1°



TITLE SSL-1.1 DC JACK CONNECTOR 2-POS. W/O POST, SMT TYPE			
SCALE	5:1	SIZE	A4
REV.	C	WC-REV.	A.8
		SHEET	2 OF 2
QC: Inspection item			

**Amphenol LTW**  
安費諾亮泰企業股份有限公司

ITEM NO	SSL11-J2D00-000001
DWG NO	SSL11-J2D00-000001
CUSTOMER	ALTW

DRAWN BY	Fisher_Wang
CHECKED BY	Ivan_lin
APPROVED BY	Kevin_Hu

DATE	2013-12-16
DATE	2013-12-16
DATE	2013-12-16