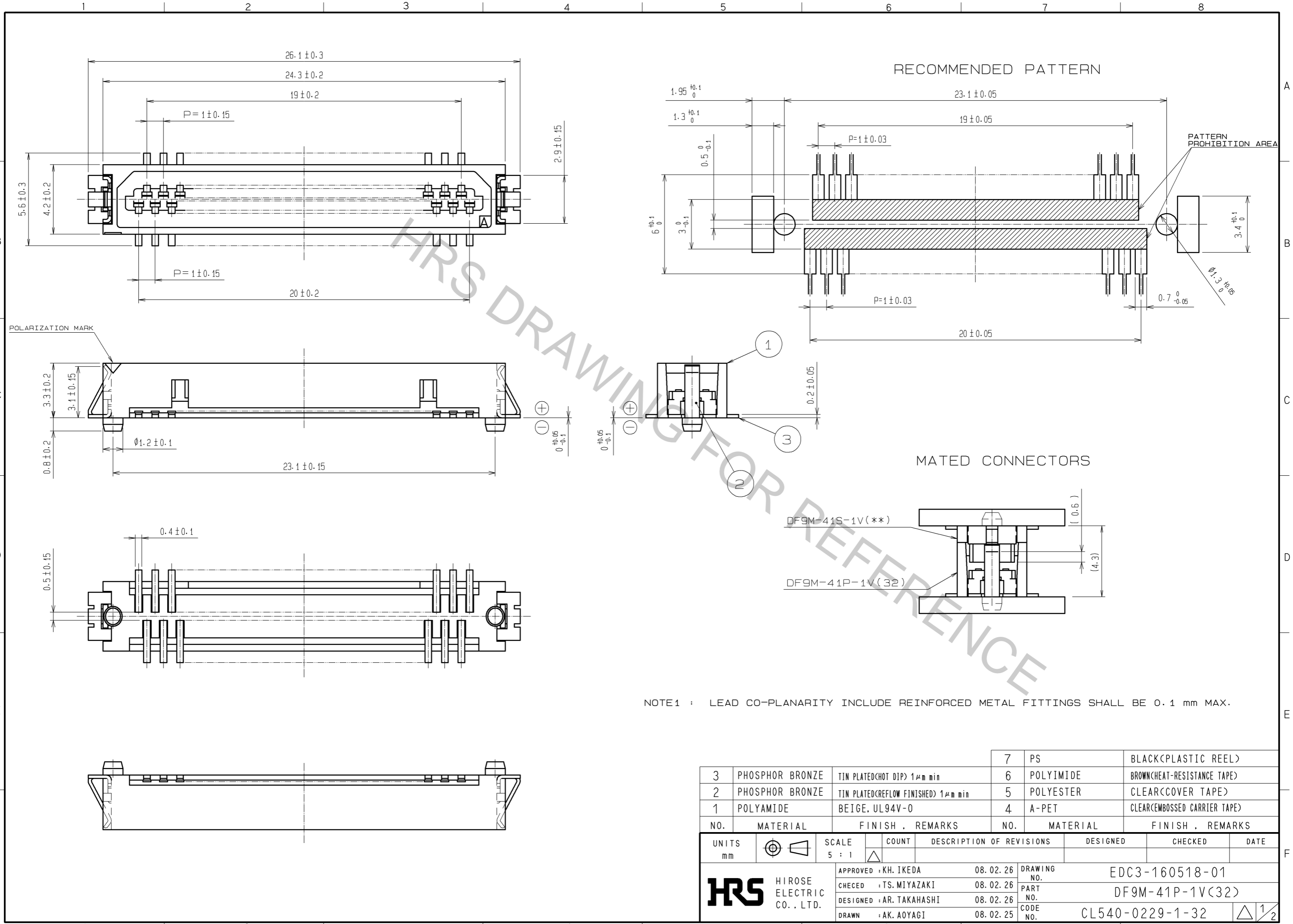
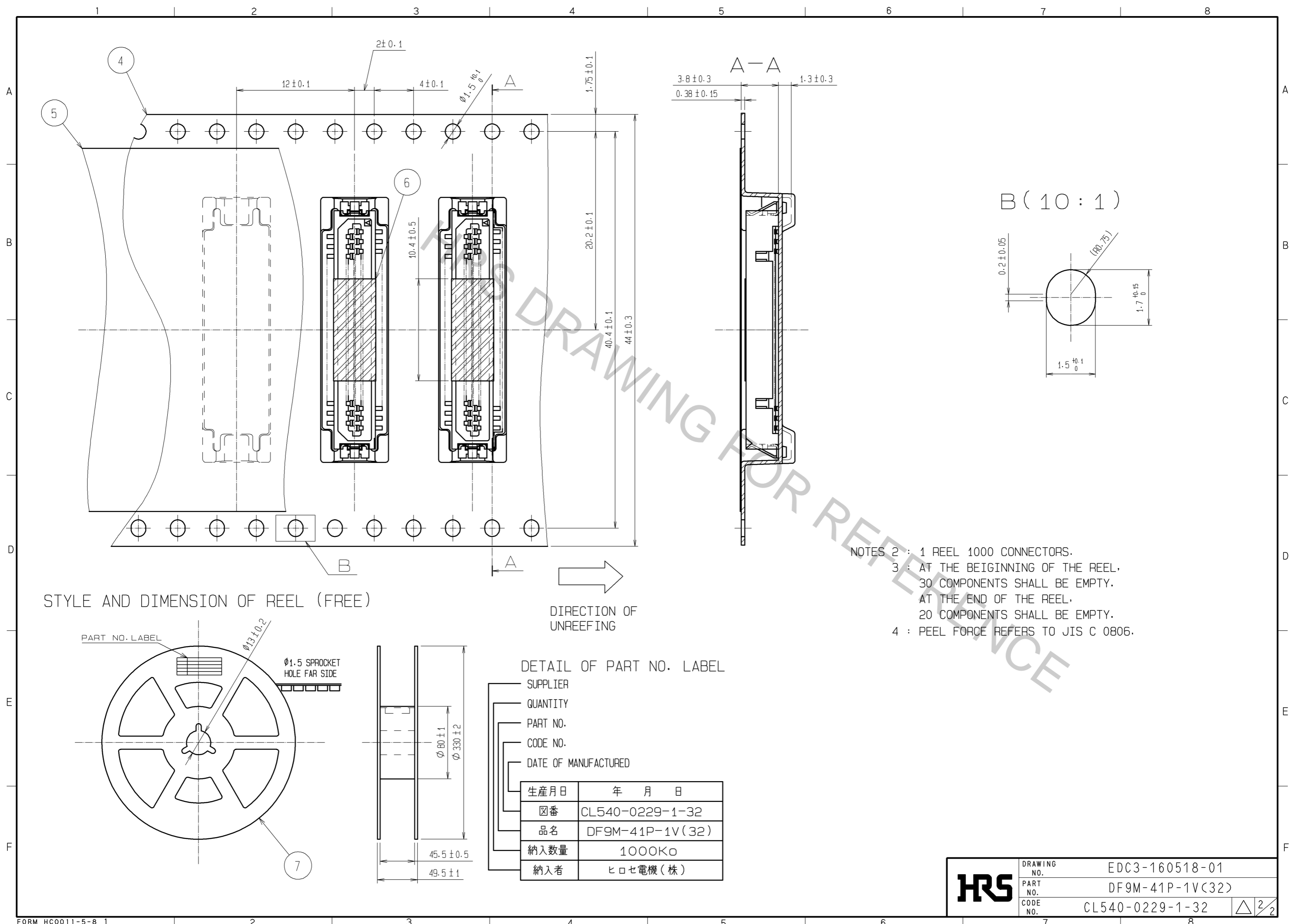


May.1.2017 Copyright 2017 HIROSE ELECTRIC CO., LTD. All Rights Reserved.



3	PHOSPHOR BRONZE	TIN PLATED(HOT DIP) 1μm min	7	PS	BLACK(PLASTIC REEL)
2	PHOSPHOR BRONZE	TIN PLATED(REFLOW FINISHED) 1μm min	6	POLYIMIDE	BROWN(HEAT-RESISTANCE TAPE)
1	POLYAMIDE	BEIGE, UL94V-0	5	POLYESTER	CLEAR(COVER TAPE)
NO.	MATERIAL	FINISH, REMARKS	NO.	MATERIAL	FINISH, REMARKS

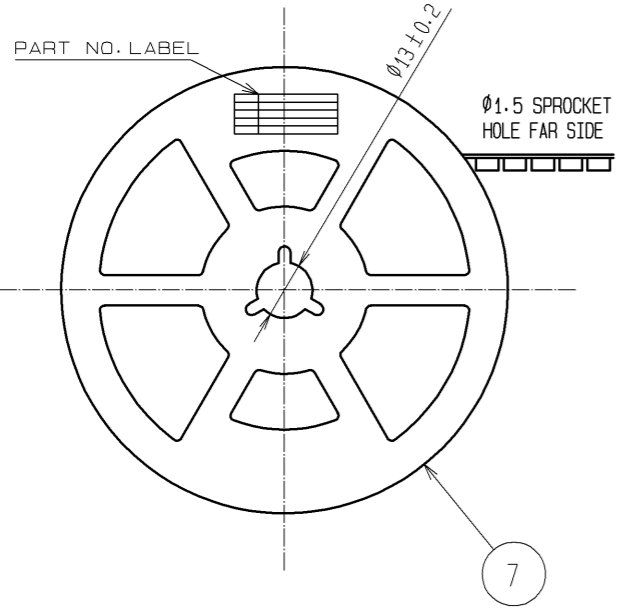
UNITS	SCALE	COUNT	DESCRIPTION OF REVISIONS	DESIGNED	CHECKED	DATE
mm	5 : 1	△				
APPROVED : KH. IKEDA			08.02.26	DRAWING NO. EDC3-160518-01		
CHECKED : TS. MIYAZAKI			08.02.26	PART NO. DF9M-41P-1V(32)		
DESIGNED : AR. TAKAHASHI			08.02.26	CODE NO. CL540-0229-1-32		
DRAWN : AK. AOYAGI			08.02.25	1/2		



STYLE AND DIMENSION OF REEL (FREE)

DIRECTION OF UNREEFING

- NOTES 2 : 1 REEL 1000 CONNECTORS.
 3 : AT THE BEGINNING OF THE REEL, 30 COMPONENTS SHALL BE EMPTY. AT THE END OF THE REEL, 20 COMPONENTS SHALL BE EMPTY.
 4 : PEEL FORCE REFERS TO JIS C 0806.



DETAIL OF PART NO. LABEL

- SUPPLIER
- QUANTITY
- PART NO.
- CODE NO.
- DATE OF MANUFACTURED

生産月日	年 月 日
図番	CL540-0229-1-32
品名	DF9M-41P-1V(32)
納入数量	1000K ϕ
納入者	ヒロセ電機(株)

HRS	DRAWING NO.	EDC3-160518-01
	PART NO.	DF9M-41P-1V(32)
	CODE NO.	CL540-0229-1-32
		\triangle 2/2