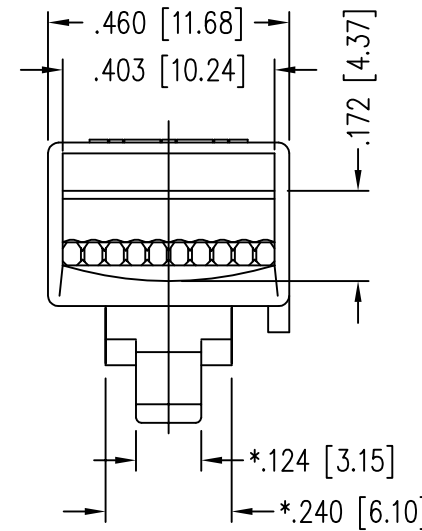
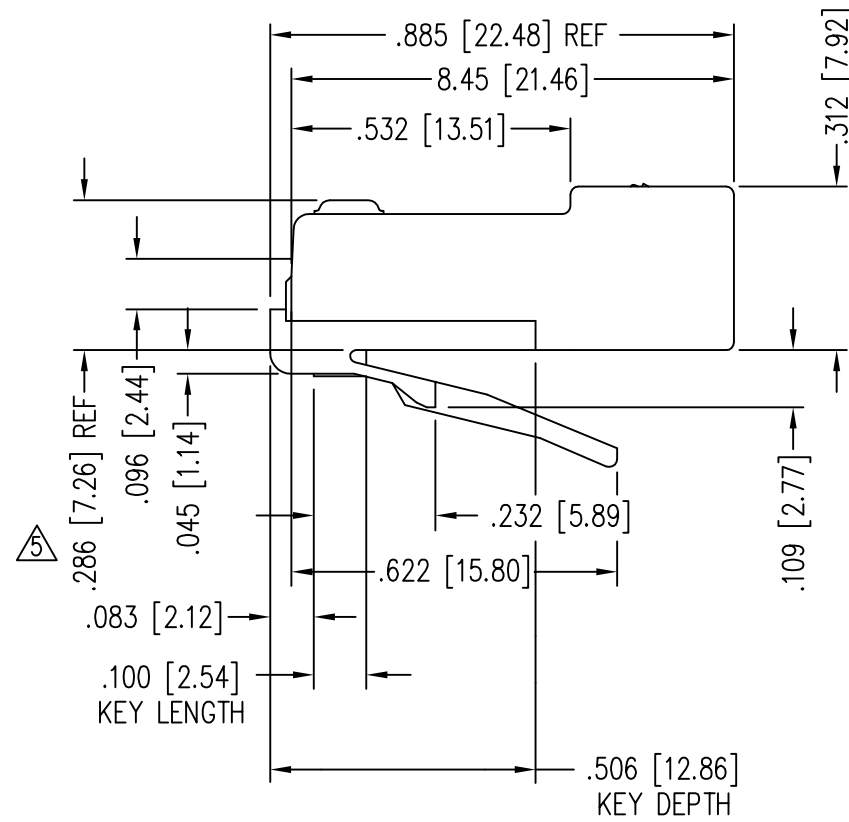
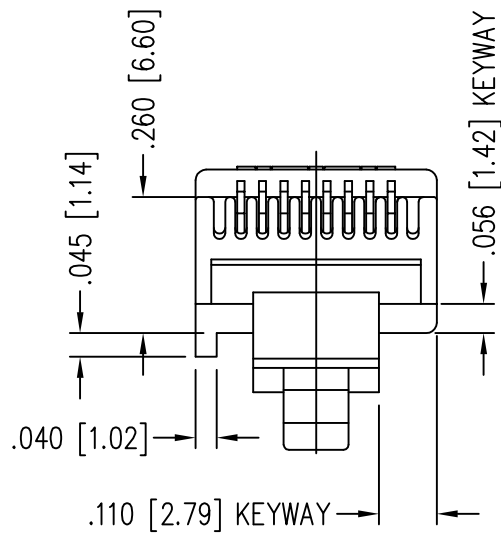
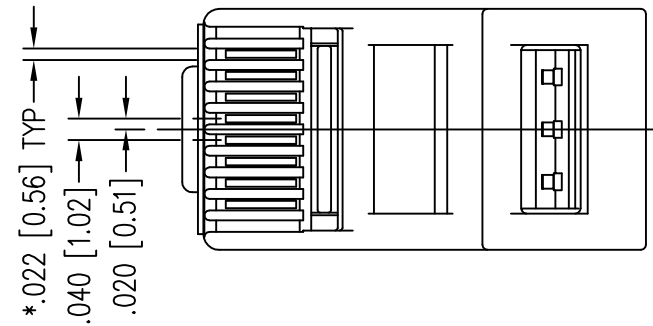


2

1

DATE	REV	ECN	APP'D. BY
6/4/07	B3	8083	JM
5/22/12	B4	9473	SMN
4-1-14	B5	9977	TRM
1-5-15	B6	10168	TRM

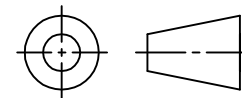


NOTES:

- 1- MATERIALS:  
PLUG BODY: POLYCARBONATE, UL 94-V0 , CLEAR  
CONTACTS: PHOSPHOR BRONZE, SELECTIVE GOLD PLATING
- 2- CONTACTS TERMINATE SOLID OR STRANDED CONDUCTORS UP TO .037 [.940] OUTSIDE DIAMETER OF INSULATION.
- 3- FOR PRODUCT SPECIFICATION SEE PRO26-01.
- 4- DIMENSIONS AND TOLERANCES COMPLY WITH TIA-1096 STANDARD.
- △ TERMINATED PLUG HEIGHT: .237 [6.02] ±.005 [0.13]

50 MICRO-INCHES [1.27um]	940-SP-300810R-RMK
CONTACT PLATING IN MATING AREA	PART NUMBER

THIRD ANGLE PROJECTION



1118 Susquehanna Trail South  
Glen Rock, PA 17327-9199  
(717) 235-7512

<http://www.stewartconnector.com>

DO NOT SCALE DRAWING  
DRAWING IS SUBJECT TO  
CHANGE WITHOUT NOTICE

TITLE: 8 CONDUCTOR / 10 POSITION LINE CORD MODULE  
WITH RADIAL BACK; RMK KEY OPTION; COLOR : CLEAR

DIMENSIONS: INCHES [METRIC]  
UNLESS OTHERWISE SPECIFIED  
TOLERANCES ARE ±.005 [0.13]  
ANGLES ARE ± 1°

THIS DRAWING AND THE SUBJECT MATTER SHOWN THEREON ARE  
CONFIDENTIAL AND THE PROPRIETARY PROPERTY OF STEWART CONNECTOR  
AND SHALL NOT BE REPRODUCED, COPIED, OR USED IN ANY MANNER WITHOUT  
PRIOR WRITTEN CONSENT OF STEWART CONNECTOR. THIS PRODUCT  
MAY BE PROTECTED BY ONE OR MORE OF THE FOLLOWING US PATENTS:  
5628647 6402559 6409535 6524128  
7753717 8033863  
OTHER PATENTS MAY BE PENDING.

DRN BY:	JAF	DATE	5-27-05
APPD BY:	RGC	DATE	5-31-05
DWG NO.	CT300244	REV.	B6

SHEET NO. 1 OF 1



2

1

AutoCAD

REV. 7/3/03