

# Silicon NPN Phototransistor in SMT TOPLED® RG-Package Version 1.3

## SFH 3211 FA



### Features:

- **Spectral range of sensitivity:** (typ) 750 ... 1120 nm
- **Package:** TOPLED
- **Special:** High linearity
- Available in groups

### Applications

- Miniature photointerrupters
- Industrial electronics
- For control and drive circuits

### Ordering Information

Type:	Photocurrent $I_{PCE}$ [ $\mu$ A] $\lambda = 950 \text{ nm}$ , $E_e = 0.1 \text{ mW/cm}^2$ , $V_{CE} = 5 \text{ V}$	Ordering Code
SFH 3211 FA	16 ... 80	Q65110A2526
SFH 3211 FA-3/4	25 ... 80	Q65110A2528

*Note:* Only one bin within one packing unit (variation less than 2:1)

**Maximum Ratings** ( $T_A = 25\text{ °C}$ )

Parameter	Symbol	Values	Unit
Operating and storage temperature range	$T_{op}; T_{stg}$	-40 ... 100	°C
Collector-emitter voltage	$V_{CE}$	35	V
Collector current	$I_C$	15	mA
Collector surge current ( $\tau < 10\ \mu\text{s}$ )	$I_{CS}$	75	mA
Total Power dissipation	$P_{tot}$	165	mW
ESD withstand voltage (acc. to ANSI/ ESDA/ JEDEC JS-001 - HBM)	$V_{ESD}$	2000	V
Thermal resistance for mounting on pcb	$R_{thJA}$	450	K/W

**Characteristics** ( $T_A = 25\text{ °C}$ )

Parameter		Symbol	Values	Unit
Wavelength of max. sensitivity	(typ)	$\lambda_{S\ max}$	980	nm
Spectral range of sensitivity	(typ)	$\lambda_{10\%}$	(typ) 750 ... 1120	nm
Radiant sensitive area	(typ)	A	0.038	mm <sup>2</sup>
Dimensions of chip area	(typ)	L x W	(typ) 0.45 x 0.45	mm x mm
Half angle	(typ)	$\varphi$	± 60	°
Capacitance ( $V_{CE} = 0\text{ V}$ , $f = 1\text{ MHz}$ , $E = 0$ )	(typ)	$C_{CE}$	5	pF
Dark current ( $V_{CE} = 20\text{ V}$ , $E = 0$ )	(typ (max))	$I_{CE0}$	1 ( $\leq 50$ )	nA

## Grouping

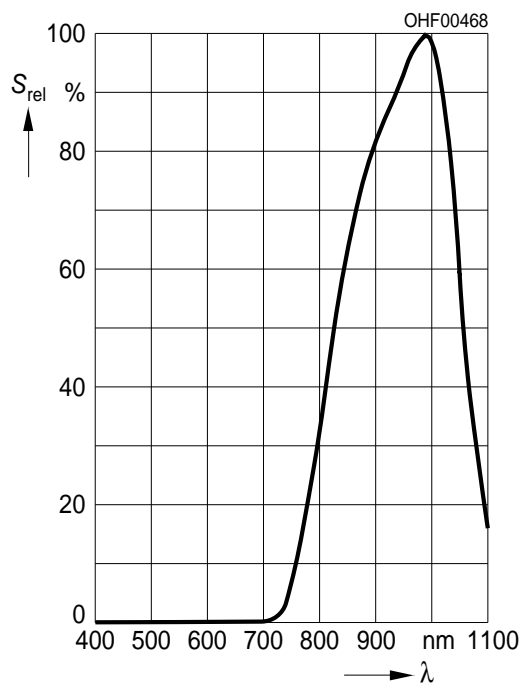
Group	Min Photocurrent	Max Photocurrent	Typ Photocurrent	Rise and fall time
	$E_e = 0.1 \text{ mW/cm}^2$ , $V_{CE} = 5 \text{ V}$ $I_{PCE, min} [\mu\text{A}]$	$E_e = 0.1 \text{ mW/cm}^2$ , $V_{CE} = 5 \text{ V}$ $I_{PCE, max} [\mu\text{A}]$	$E_V = 1000 \text{ lx, Std. Light A, } V_{CE} = 5 \text{ V}$ $I_{PCE} [\mu\text{A}]$	$I_C = 1 \text{ mA, } V_{CC} = 5 \text{ V, } R_L = 1 \text{ k}\Omega$ $t_r, t_f [\mu\text{s}]$
SFH 3211 FA - 2	16	32	420	6
SFH 3211 FA - 3	25	50	650	7
SFH 3211 FA - 4	40	80	1000	8

Group	Collector-emitter saturation voltage $I_C = I_{PCEmin} \times 0.3, E_e = 0.1 \text{ mW/cm}^2$ $V_{CEsat} [\text{mV}]$
SFH 3211 FA - 2	150
SFH 3211 FA - 3	150
SFH 3211 FA - 4	150

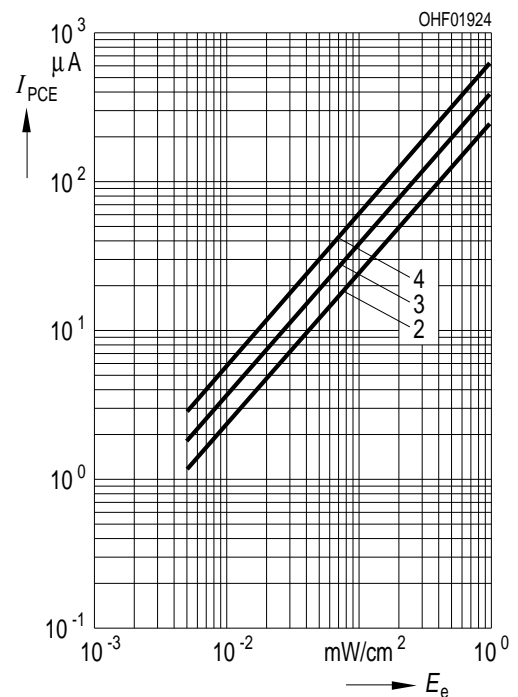
Note.:  $I_{PCEmin}$  is the min. photocurrent of the specified group.

Relative Spectral Sensitivity <sup>1) page 13</sup>

$$S_{rel} = f(\lambda)$$

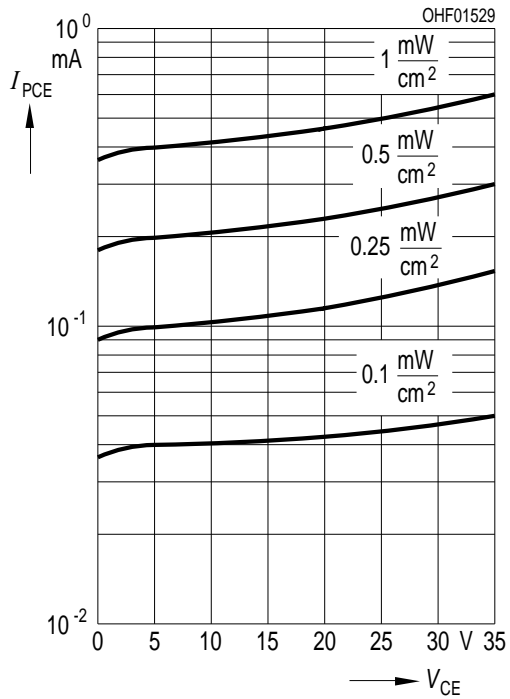
Photocurrent <sup>1) page 13</sup>

$$I_{PCE} = f(E_e), V_{CE} = 5 \text{ V}$$



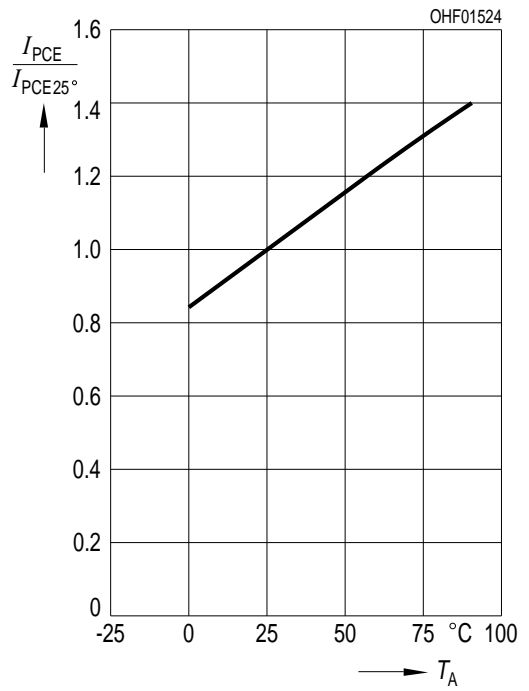
**Photocurrent** <sup>1) page 13</sup>

$I_{PCE} = f(V_{CE}), E_e = \text{Parameter}$



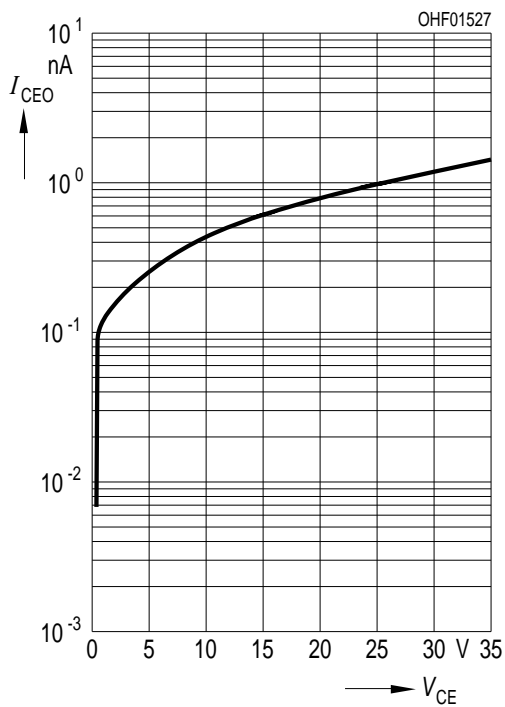
**Photocurrent** <sup>1) page 13</sup>

$I_{PCE} / I_{PCE}(25^\circ\text{C}) = f(T_A), V_{CE} = 5 \text{ V}$



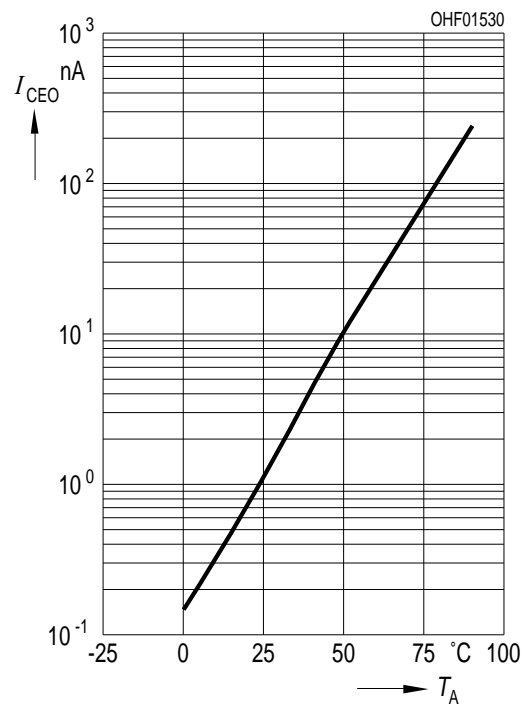
**Dark Current** <sup>1) page 13</sup>

$I_{CEO} = f(V_{CE}), E = 0$



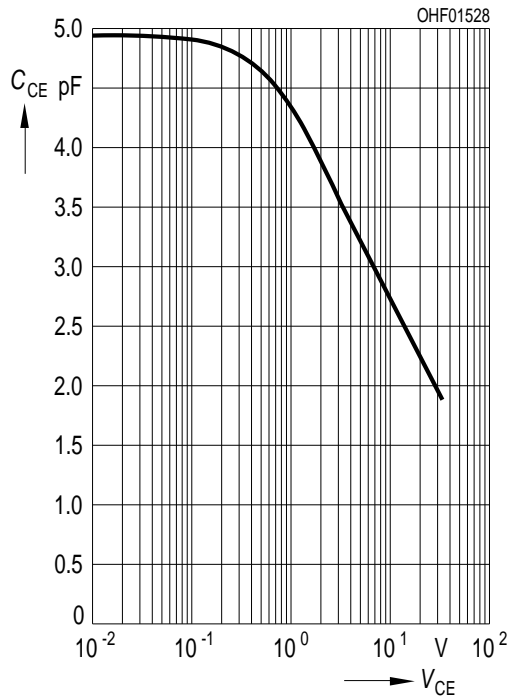
**Dark Current** <sup>1) page 13</sup>

$I_{CEO} = f(T_A), E = 0$



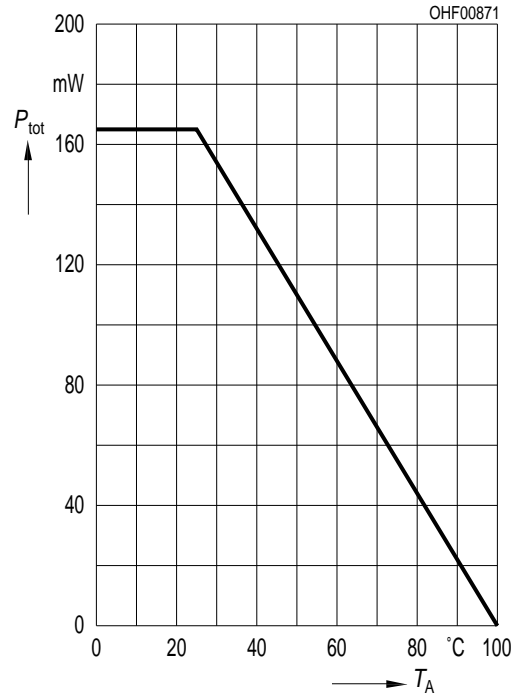
**Collector-Emitter Capacitance** <sup>1) page 13</sup>

$C_{CE} = f(V_{CE}), f = 1 \text{ MHz}, E = 0$



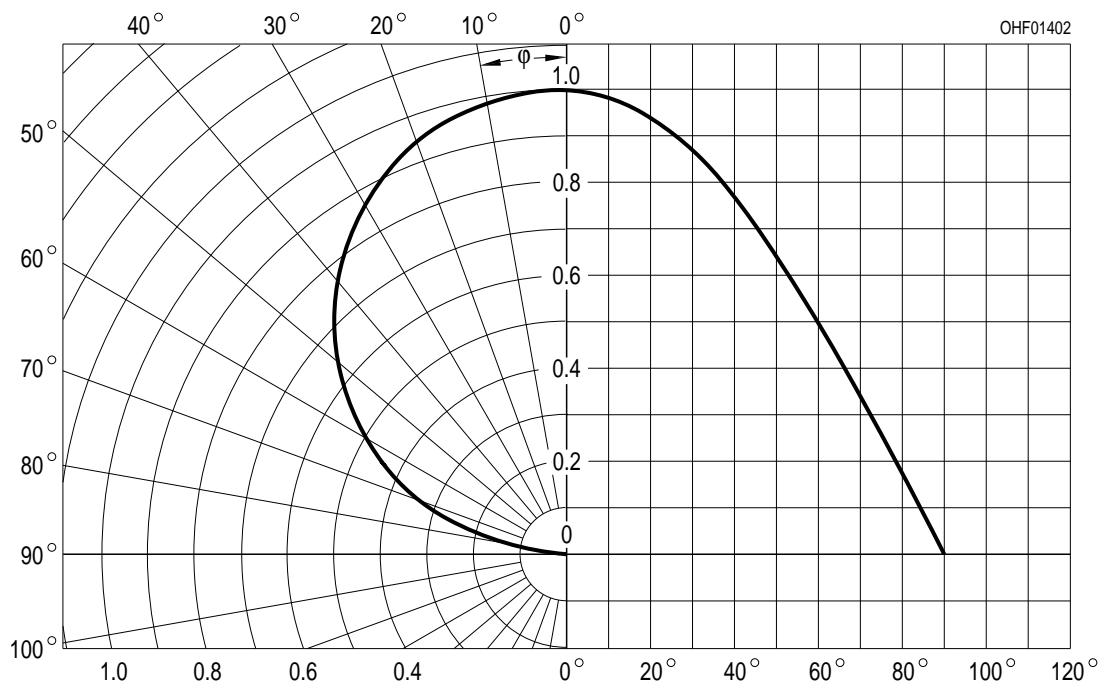
**Power Consumption**

$P_{tot} = f(T_A)$

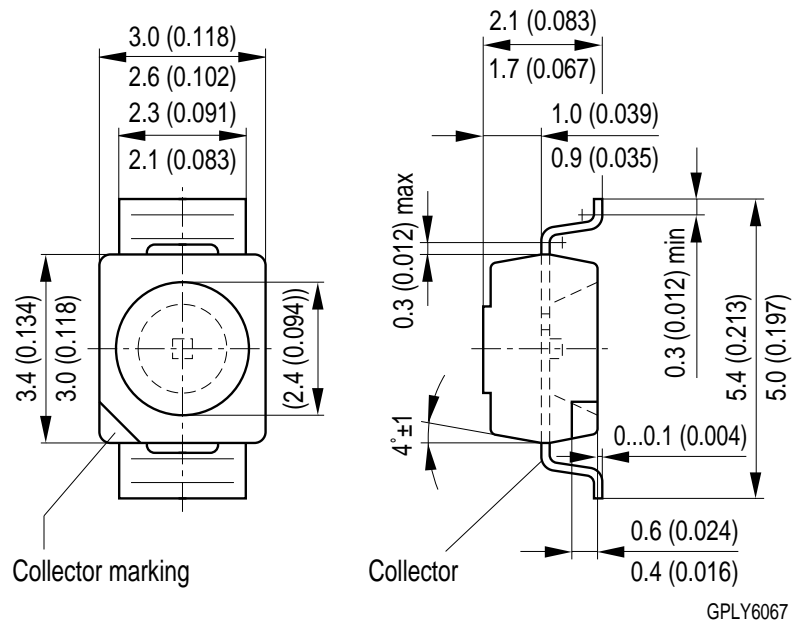


**Directional Characteristics** <sup>1) page 13</sup>

$S_{rel} = f(\phi)$



## Package Outline



*Dimensions in mm (inch).*

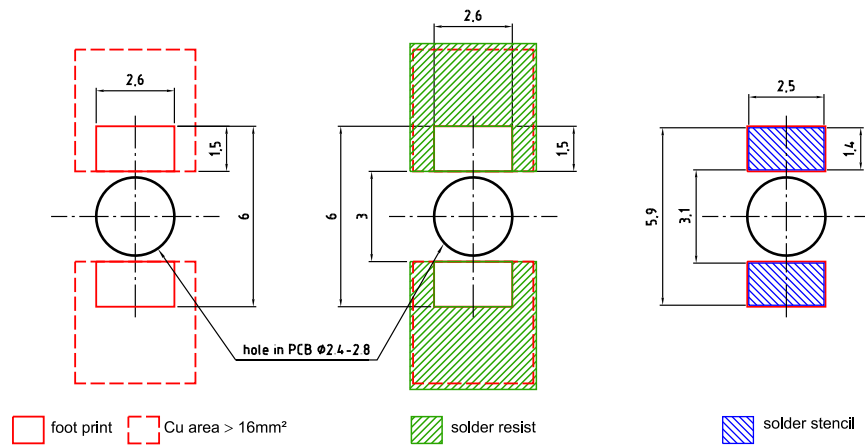
**Package**

TOPLED

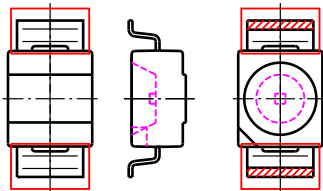
**Approximate Weight:**

35.0 mg

Recommended Solder Pad



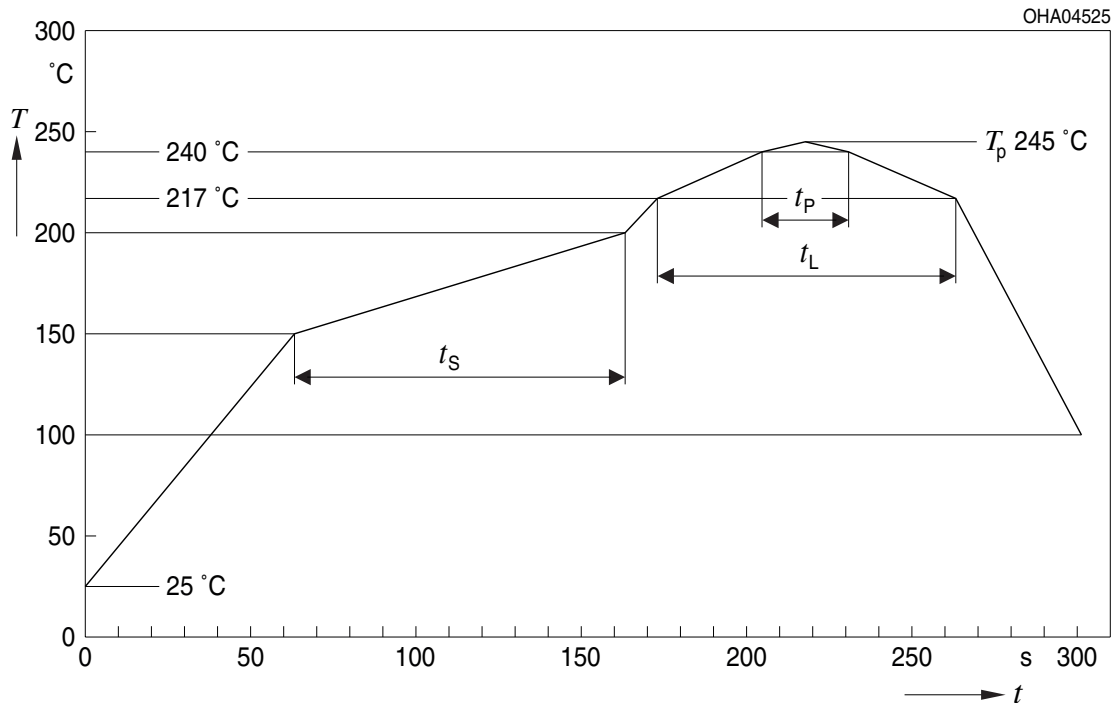
Component Location on Pad



E062.3010.05-02

Reflow Soldering Profile

Product complies to MSL Level 2 acc. to JEDEC J-STD-020D.01



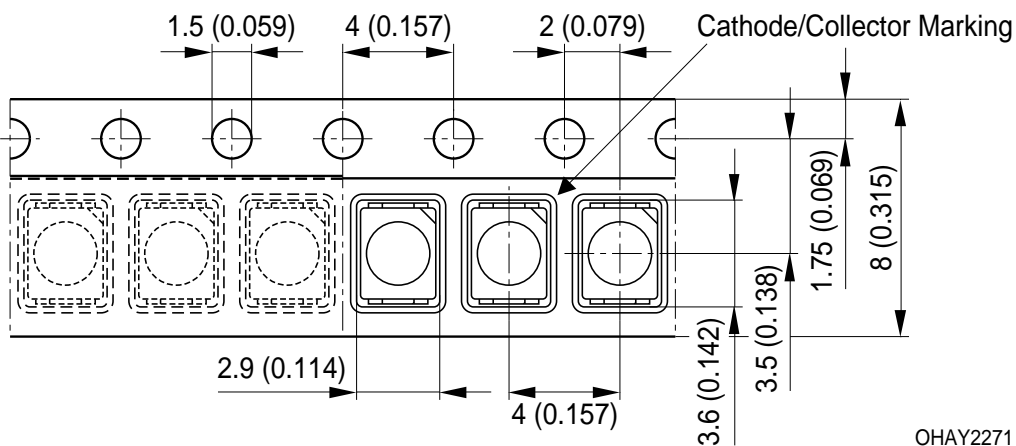
OHA04612

Profile Feature Profil-Charakteristik	Symbol Symbol	Pb-Free (SnAgCu) Assembly			Unit Einheit
		Minimum	Recommendation	Maximum	
Ramp-up rate to preheat*) 25 °C to 150 °C			2	3	K/s
Time $t_S$ $T_{Smin}$ to $T_{Smax}$	$t_S$	60	100	120	s
Ramp-up rate to peak*) $T_{Smax}$ to $T_P$			2	3	K/s
Liquidus temperature	$T_L$	217			°C
Time above liquidus temperature	$t_L$		80	100	s
Peak temperature	$T_P$		245	260	°C
Time within 5 °C of the specified peak temperature $T_P - 5$ K	$t_P$	10	20	30	s
Ramp-down rate* $T_P$ to 100 °C			3	6	K/s
Time 25 °C to $T_P$				480	s

All temperatures refer to the center of the package, measured on the top of the component

\* slope calculation  $DT/Dt$ :  $Dt$  max. 5 s; fulfillment for the whole T-range

## Taping



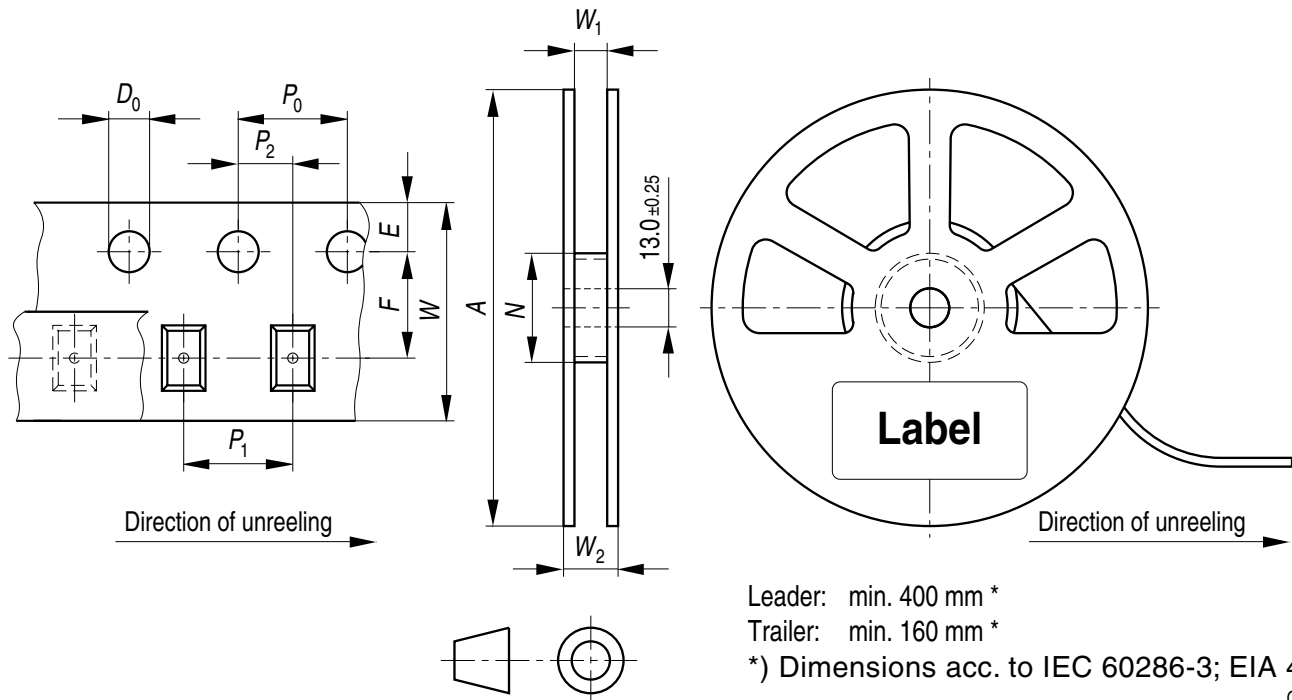
OHAY2271

*Dimensions in mm (inch).*



## Tape and Reel

8 mm tape with 2000 pcs. on  $\varnothing$  180 mm reel, 8000 pcs. on  $\varnothing$  330 mm reel



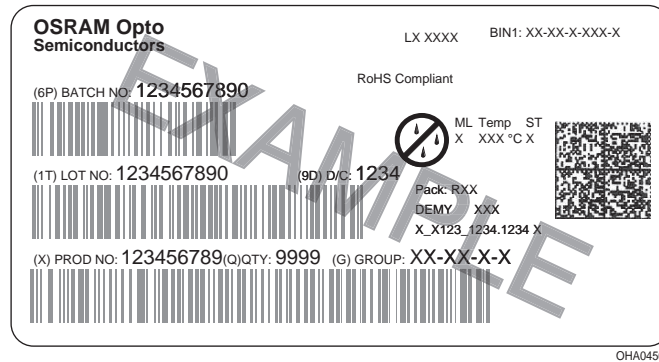
## Tape dimensions [mm]

W	$P_0$	$P_1$	$P_2$	$D_0$	E	F
$8 + 0.3 / -0.1$	$4 \pm 0.1$	$2 \pm 0.05$ or $4 \pm 0.1$	$2 \pm 0.05$	$1.5 \pm 0.1$	$1.75 \pm 0.1$	$3.5 \pm 0.05$

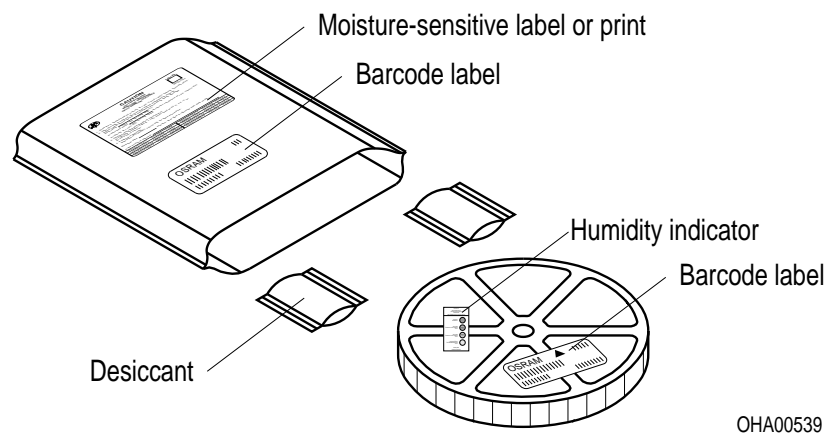
## Reel dimensions [mm]

A	W	$N_{\min}$	$W_1$	$W_{2\max}$
180	8	60	$8.4 + 2$	14.4
A	W	$N_{\min}$	$W_1$	$W_{2\max}$
330	8	60	$8.4 + 2$	14.4

**Barcode-Product-Label (BPL)**

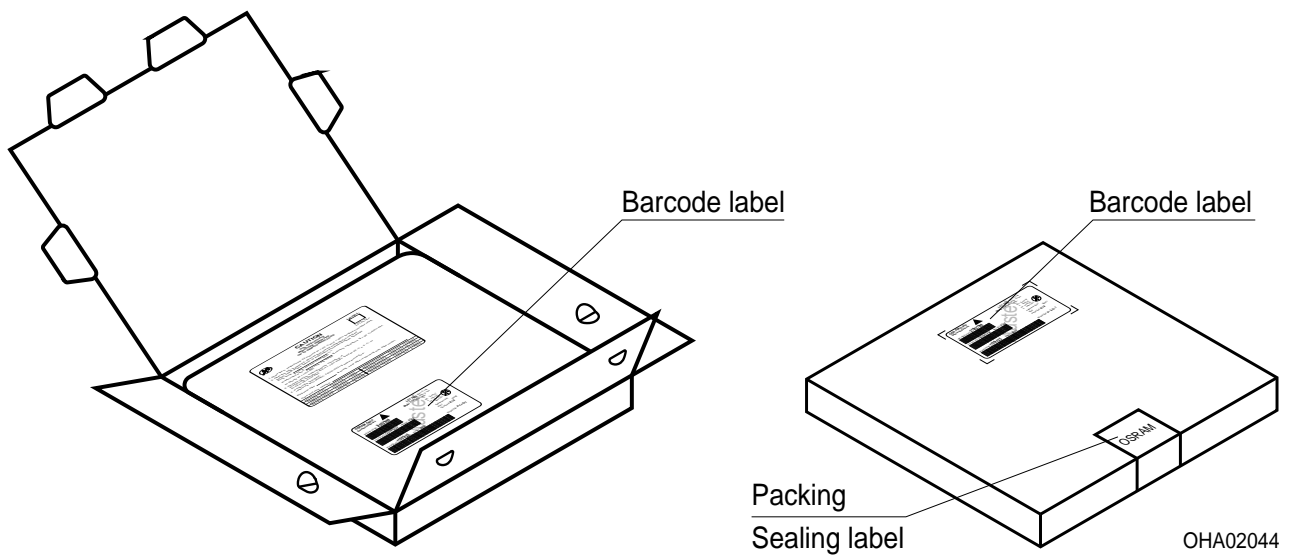


**Dry Packing Process and Materials**



**Note:**  
 Moisture-sensitive product is packed in a dry bag containing desiccant and a humidity card.  
 Regarding dry pack you will find further information in the internet. Here you will also find the normative references like JEDEC.

## Transportation Packing and Materials



## Dimensions of transportation box in mm

Width	Length	Height
200 ± 5	195 ± 5	30 ± 5
352 ± 5	352 ± 5	33 ± 5

**Disclaimer**

Language english will prevail in case of any discrepancies or deviations between the two language wordings.

**Attention please!**

The information describes the type of component and shall not be considered as assured characteristics.

Terms of delivery and rights to change design reserved. Due to technical requirements components may contain dangerous substances.

For information on the types in question please contact our Sales Organization.

If printed or downloaded, please find the latest version in the Internet.

**Packing**

Please use the recycling operators known to you. We can also help you – get in touch with your nearest sales office.

By agreement we will take packing material back, if it is sorted. You must bear the costs of transport. For packing material that is returned to us unsorted or which we are not obliged to accept, we shall have to invoice you for any costs incurred.

**Components used in life-support devices or systems must be expressly authorized for such purpose!**

Critical components\* may only be used in life-support devices\*\* or systems with the express written approval of OSRAM OS.

\*) A critical component is a component used in a life-support device or system whose failure can reasonably be expected to cause the failure of that life-support device or system, or to affect its safety or the effectiveness of that device or system.

\*\*) Life support devices or systems are intended (a) to be implanted in the human body, or (b) to support and/or maintain and sustain human life. If they fail, it is reasonable to assume that the health and the life of the user may be endangered.

**Glossary**

- <sup>1)</sup> **Typical Values:** Due to the special conditions of the manufacturing processes of LED, the typical data or calculated correlations of technical parameters can only reflect statistical figures. These do not necessarily correspond to the actual parameters of each single product, which could differ from the typical data and calculated correlations or the typical characteristic line. If requested, e.g. because of technical improvements, these typ. data will be changed without any further notice.

**Published by OSRAM Opto Semiconductors GmbH**  
**Leibnizstraße 4, D-93055 Regensburg**  
**www.osram-os.com © All Rights Reserved.**

EU RoHS and China RoHS compliant product



此产品符合欧盟 RoHS 指令的要求；  
按照中国的相关法规和标准，不含有毒有害物质或元素。