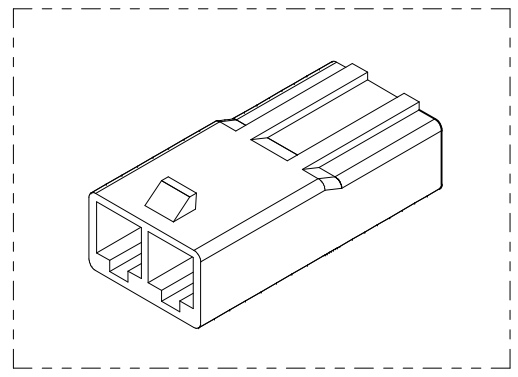
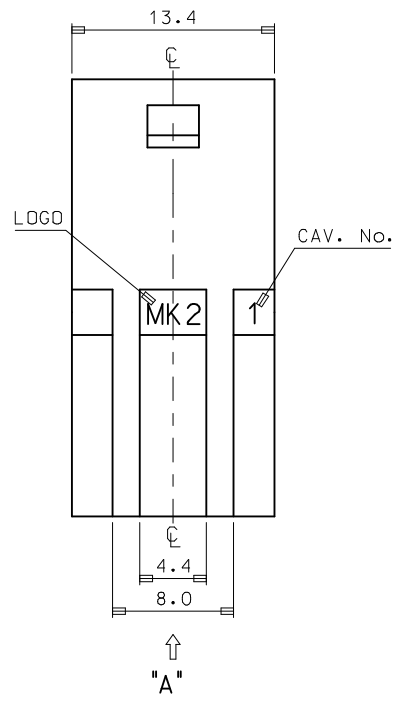
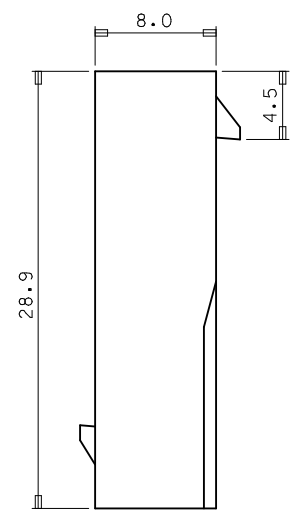


- NOTES
1. MATERIAL : SEE TABLE
  2. COLOR : SEE TABLE
  3. MATCHED HOUSING : 35151-021\*  
35150-029\* (TPA)
  4. APPLIED TERMINAL : 35745-0\*10



NO	PRODUCT		MATERIAL	
	PART NO	MATERIAL NO	COLOR	DESCRIPTION
1	35150-0200	351500200	NATURAL	PBT (UL94V-0)
2	35150-0202	351500202	RED	
3	35150-0204	351500204	BLUE	
4	35150-0209	351500209	NATURAL	PC/PET (UL94V-0)
5	35150-2209	351502209	RED	
6	35150-3209	351503209	YELLOW	
7	35150-4209	351504209	BLUE	

<b>REVISED</b> EC NO: KOR2009-0026 DRWN: JHPARK01 2008/09/25 CHKD: WY YANG 2008/11/25 APPR: YUNSIKKIM 2008/11/25	QUALITY SYMBOLS ▽=0 ∇=0	GENERAL TOLERANCES (UNLESS SPECIFIED)		DIMENSION STYLE <b>MM ONLY</b>	SCALE <b>3:1</b>	DESIGN UNITS <b>METRIC</b>	THIRD ANGLE PROJECTION		
		4 PLACES ± --- ± --- 3 PLACES ± --- ± --- 2 PLACES ± --- ± --- 1 PLACE ± 0.2 ± ---	mm INCH	DRAWN BY JS. KANG	DATE	TITLE <b>6.2 PITCH W/W CONN MALE HOUSING-2P(W/O EAR)</b>			
		ANGULAR ± 1 °		CHECKED BY	DATE	MOLEX INCORPORATED			
		DRAFT WHERE APPLICABLE MUST REMAIN WITHIN DIMENSIONS		APPROVED BY	DATE	MATERIAL NO. <b>SEE TABLE</b>	DOCUMENT NO. <b>SD-35150-020*</b>	SHEET NO. <b>1 OF 01</b>	
THIS DRAWING CONTAINS INFORMATION THAT IS PROPRIETARY TO MOLEX INCORPORATED AND SHOULD NOT BE USED WITHOUT WRITTEN PERMISSION									