

4

3

2

1

CONVERSION CHART	
INCH	MM
.010	0.25
.020	0.51
.022	0.56
.030	0.76
.040	1.02
.043	1.09
.100	2.54
.130	3.30
.206	5.23
.215	5.46
.227	5.77
.280	7.11
.320	8.13
.340	8.64
.800	20.32

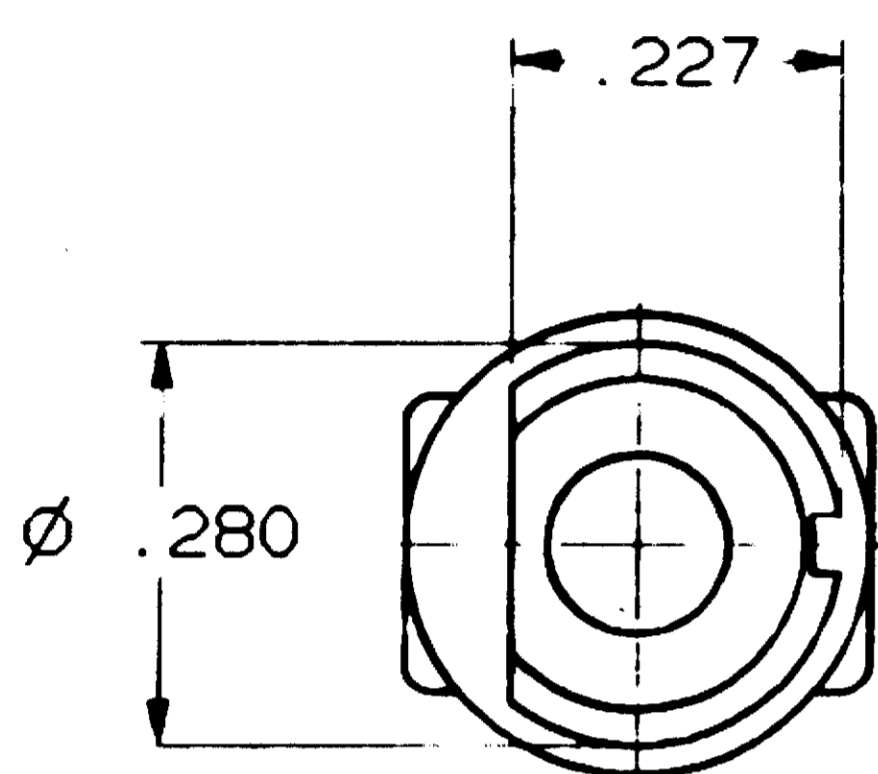
SPECIFICATIONS:

CURRENT RATING: 0.4 VA MAX., 20 V MAX. (AC/DC).

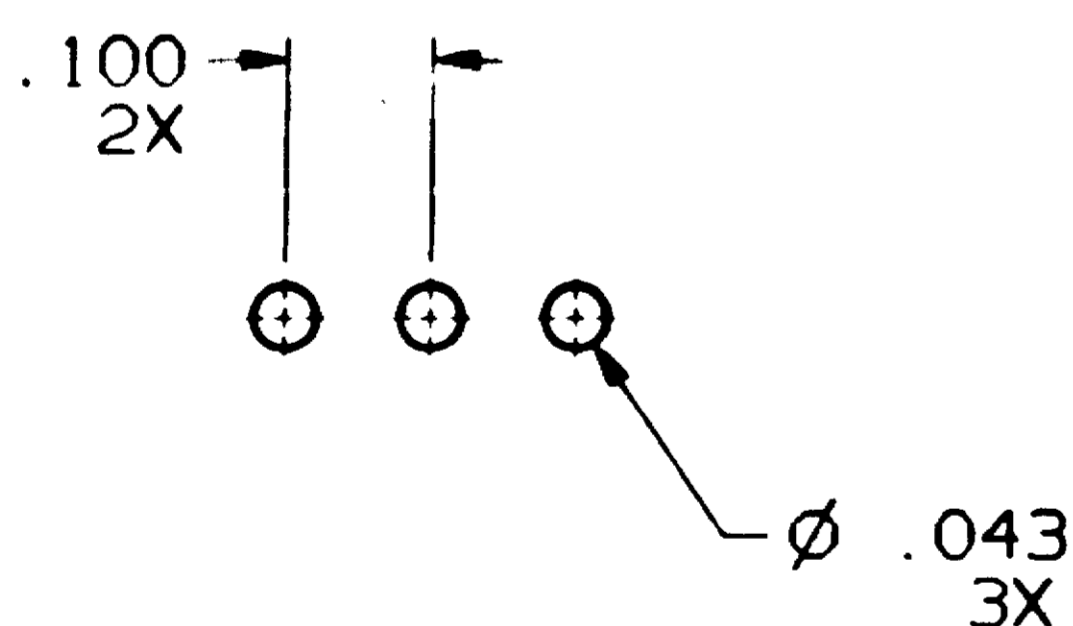
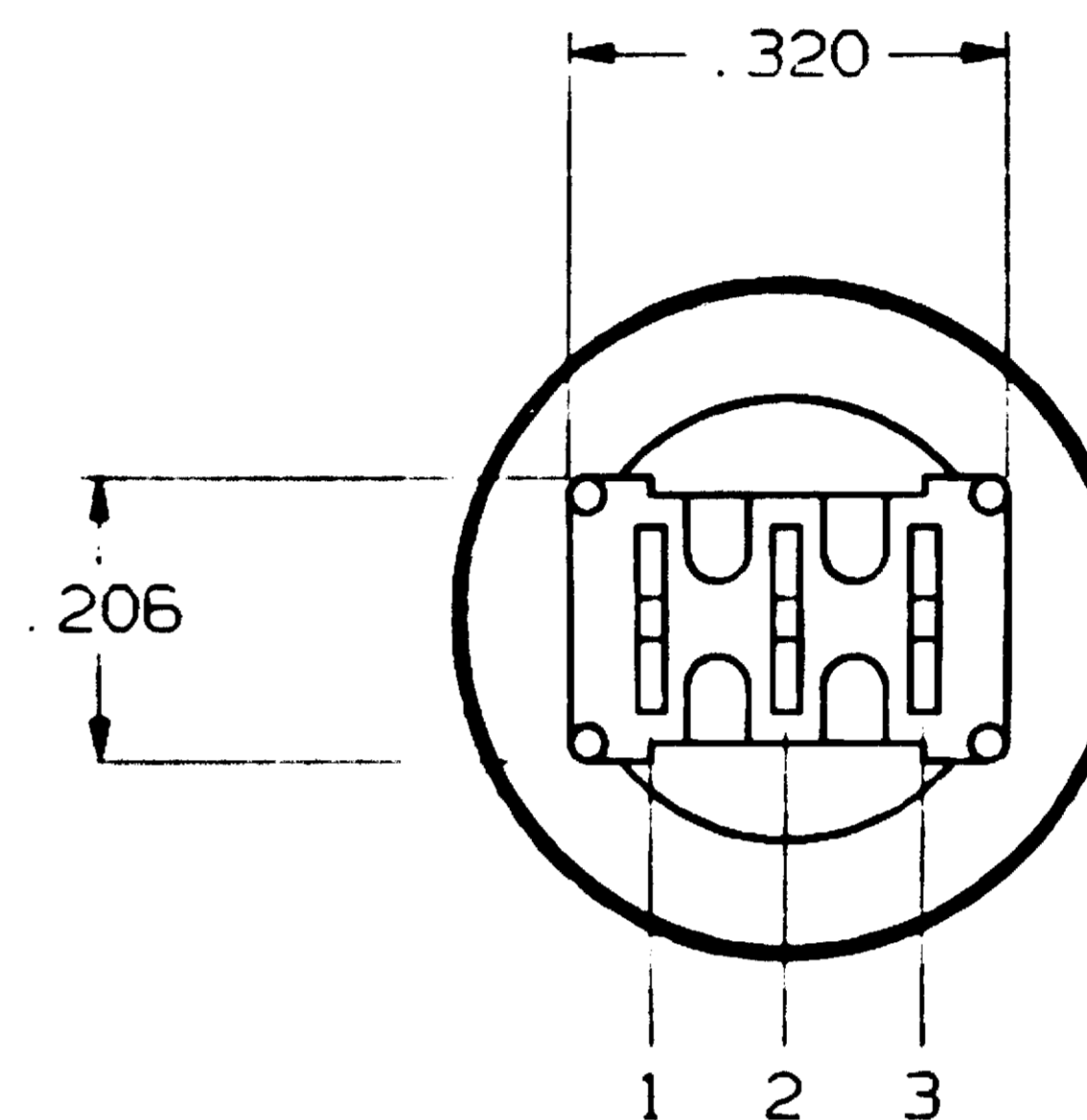
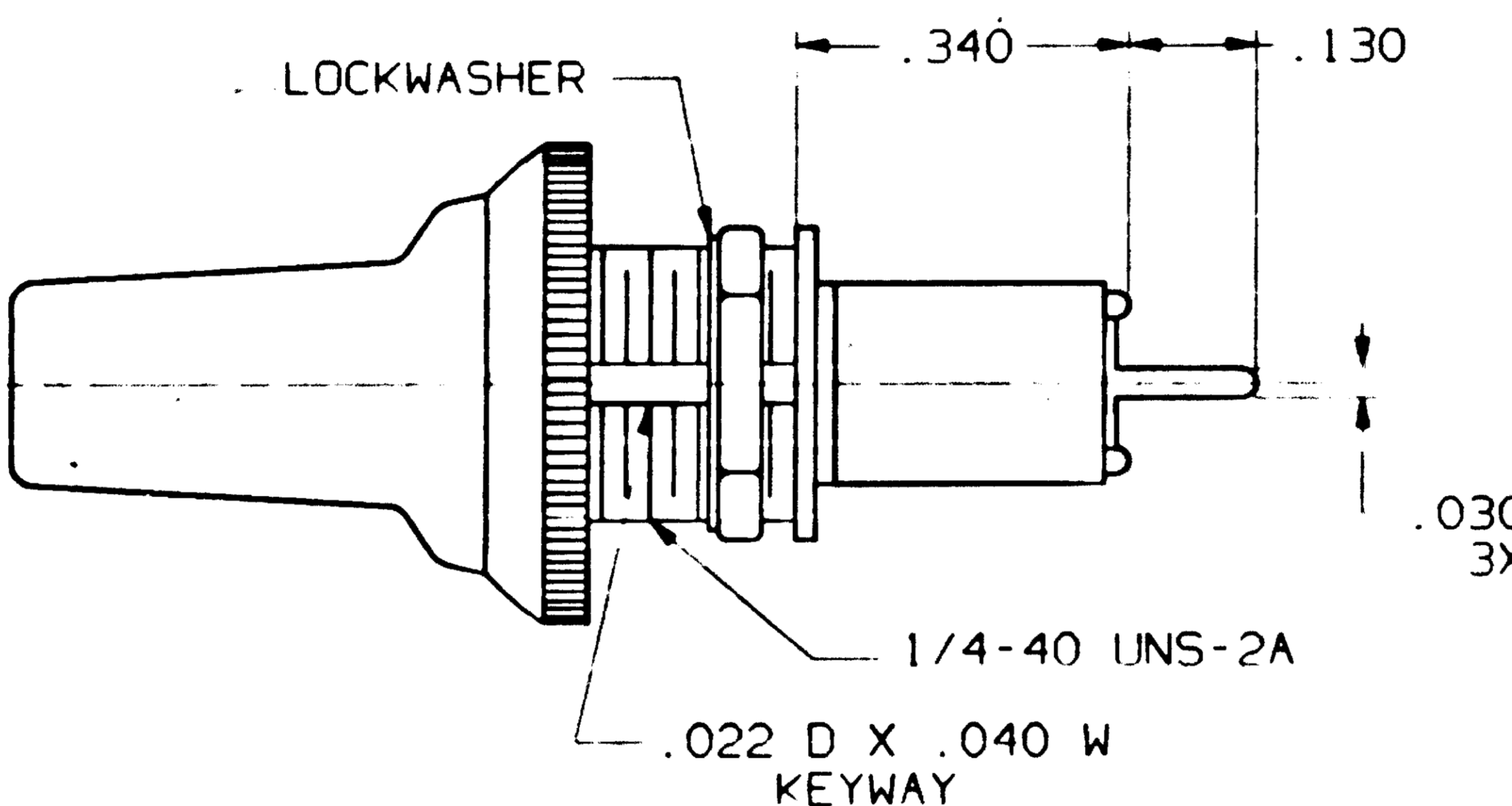
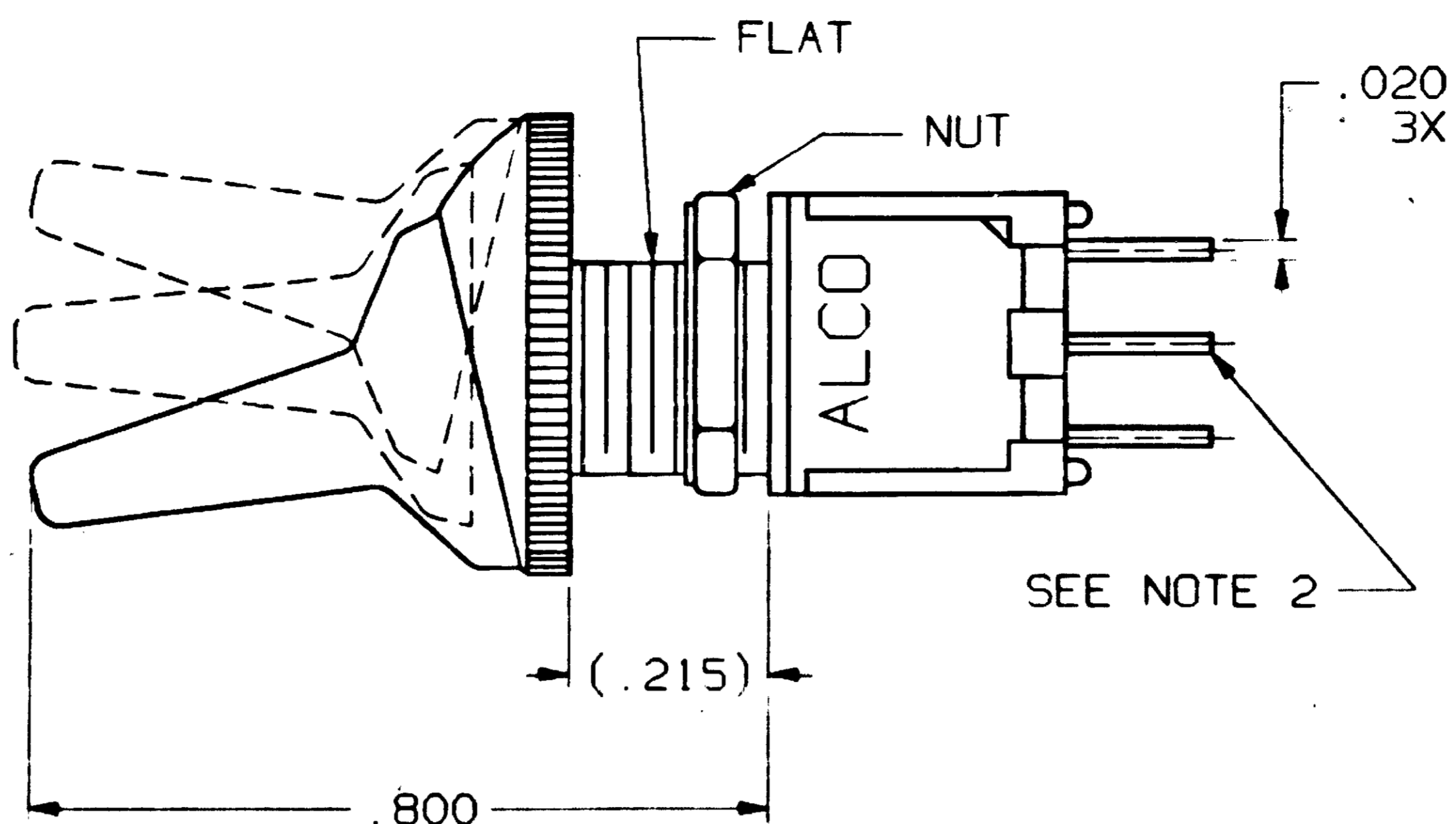
INITIAL CONTACT RESISTANCE: 20 MILLIOHMS MAX.
@ 100 MV AND 1 MA.

VOLTAGE WITHSTAND: 1000 VAC BETWEEN TERMINALS
AND CASE GROUND FOR 1 MINUTE.

DECORATIVE NUT, PADDLE AND MOUNTING HARDWARE
SUPPLIED WITH SWITCH TO BE ASSEMBLED BY CUSTOMER



NOTE: TOGGLE AND MOUNTING HARDWARE
REMOVED FOR CLARITY



P.C. HOLE LAYOUT

TERMINALS CONNECTED WHEN TOGGLE
IN POSITIONS SHOWN.

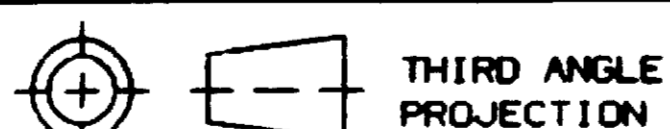
SWITCH ACTION CODE (*)			
A	OFF	NONE	3 TO 1
D	2 TO 3	NONE	2 TO 1
E	2 TO 3	OFF	2 TO 1
F	2 TO 3 (MOM)	NONE	2 TO 1

NOTE:

1. TERMINAL DESIGNATION NUMBERS ARE FOR REFERENCE ONLY, AND DO NOT APPEAR ON SWITCHES.
2. TERMINAL #2 DOES NOT EXIST ON "A" TYPE SWITCHES.

(*)	BUTTON COLORS
(0)	BLACK
(2)	RED
(6)	BLUE

TT11EGPC5T1/40	5-1437561-6
TT11DGPC5T1/42	3-1437561-2
ALCO PART NUMBER	TYCO PART NUMBER



THIRD ANGLE
PROJECTION

TOLERANCES (EXCEPT AS NOTED)
 ANGULAR = ±
 DECIMAL .XX = ±
 DECIMAL .XXX = ±.010
 DECIMAL .XXXX = ±

UNLESS OTHERWISE SPECIFIED
DIMENSIONS ARE IN INCHES
DO NOT SCALE PRINT

FILE NAME: 40300
 DIRECTORY: TINSWITCH
 PROJECT:

MATERIAL:
N/A

FINISH:
N/A

ORIGINAL DATE
OF DRAWING: 1-4-95

DRAWN: S.KIRCORIAN
 DATE: 1-4-95

CHECKED: JLS
 DATE: 1-17-95

APPROVED: JLS
 DATE: 1-17-95

CODE IDENT. NO. 91506
 DWG. SIZE C

NEXT ASSY:

TYCO ELECTRONICS

TITLE:
 TOGGLE SWITCH TINY SERIES
 SINGLE POLE P.C.
 (TT11(*)G-PC-5T 1/4(*)

DWG. NO. 5-1437561-6
 (WAS 40300)

PRODUCT CODE: A51

SCALE: 4:1 SHEET 1 OF 1

REV	D
REVISIONS	OG3C-0194-05 MZ 27MAR07

CAD080992C

4

3

2

CUSTOMER DRAWING

1