

Type 12 Mild Steel Modular Freestanding Enclosure

HME Series

Hinge Door w/ Various Handle Options



Application

- The HME product line provides users with a rugged housing for industrial control and operator interface in industrial environments.
- Modular design permits joining of units together for large scale and mixed use applications.
- Frame's 25mm hole pattern provides extensive component and accessory mounting flexibility.
- A broad range of industry standard sizes are offered.

Standards

- UL 508 Type 12
- CSA Type 12
- Complies with
 - NEMA Type 12
 - IEC 60529 IP54

Configuration

- Frame
- Removable solid top panel
- Lifting eyebolts (4)
- Removable bottom panel w/gland plates
- Solid front door with door frame
- Removable rear cover panel
- Inner mounting panel

Construction

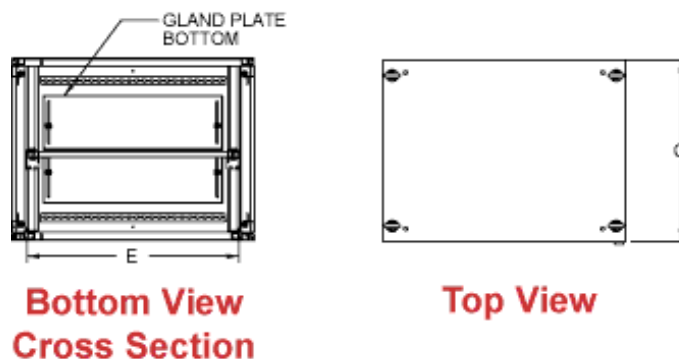
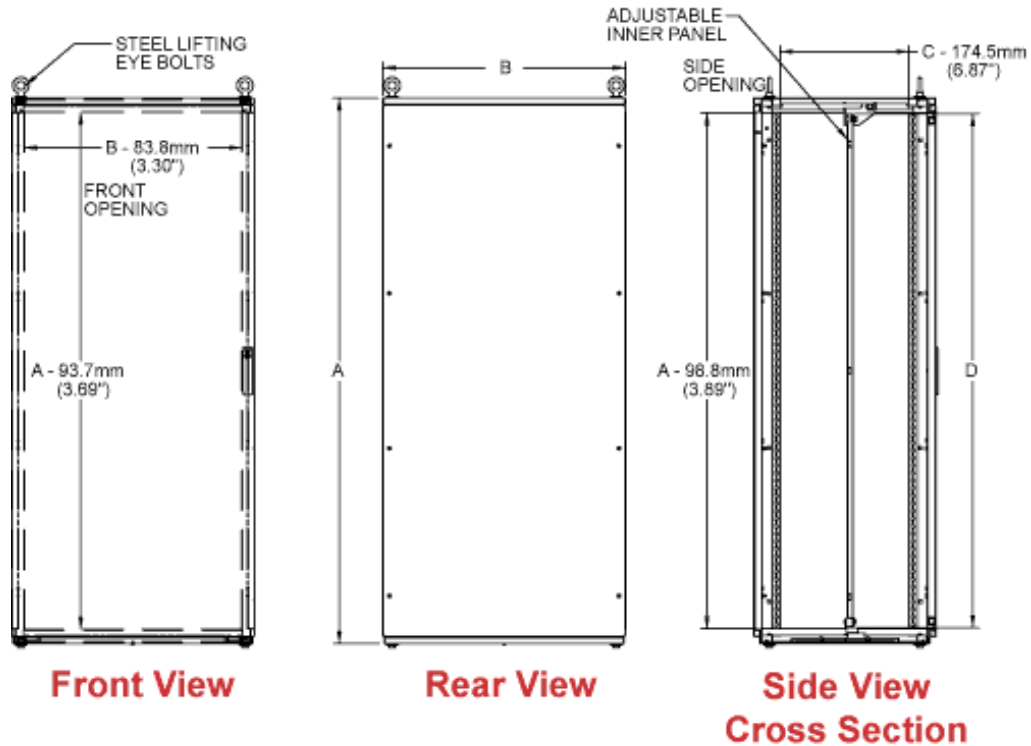
- Formed 14 gauge steel.
- Fully welded frame with 25mm hole pattern for superior mounting flexibility.
- Seamless foam in place gasket.
- Reinforced eyebolts are provided for easy enclosure lifting.
- Frames can be joined together with an optional joining kit.
- Doors can be easily interchanged, removed and/or reversed.
- Door opening 135°.
- Optional formed 14 gauge steel side panels are sold separately (in pairs).
- Bonding and grounding studs are provided for all doors and panels.

Finish

- Phosphatized and finished in RAL 7035 light gray powder coating.
- Inner panel is unpainted galvanized 12 gauge steel.

Accessories

- Cooling Products
- Literature Pocket
- Leveling Feet
- Tamper Resistant Screws
- Window Door
- HME Casters
- Grid System
- Additional Inner Panels
- Side Mounting Barrier Panels
- Shelf
- Swing Frame for 19" Mounting
- 19" Rails and Width Adaptor Kit
- Copper Busbar
- HME Handles
- Remote Door Switches
- Filtered Fans
- Plinth
- Side Panels
- Frame Joining Kit
- Top Mount Cable Module and Side Panels
- Lifting Angles
- Grid Strap Spacer
- Side Mounting Inner Panels
- Swing Panel
- Bridge Panel
- Interlock Kit
- Ground Wire Kits
- Inserts
- Light Kit Brackets



Part No.	Overall Dimensions			Panel Dimensions	
	A	B	C	D	E
HME1465	1400	600	500	1296	499
HME1466	1400	600	600	1296	499
HME1468	1400	600	800	1296	499
HME1485	1400	800	500	1296	699
HME1486	1400	800	600	1296	699
HME1488	1400	800	800	1296	699
HME1665	1600	600	500	1496	499
HME1666	1600	600	600	1496	499
HME1668	1600	600	800	1496	499
HME1685	1600	800	500	1496	699
HME1686	1600	800	600	1496	699
HME1688	1600	800	800	1496	699
HME1864	1800	600	400	1696	499
HME1865	1800	600	500	1696	499
HME1866	1800	600	600	1696	499
HME1868	1800	600	800	1696	499
HME1884	1800	800	400	1696	699
HME1885	1800	800	500	1696	699
HME1886	1800	800	600	1696	699
HME1888	1800	800	800	1696	699
HME18104	1800	1000	400	1696	899
HME18105	1800	1000	500	1696	899
HME18106	1800	1000	600	1696	899
HME18108	1800	1000	800	1696	899

Part No.	Overall Dimensions			Panel Dimensions	
	A	B	C	D	E
HME2045	2000	400	500	1896	299
HME2064	2000	600	400	1896	499
HME2065	2000	600	500	1896	499
HME2066	2000	600	600	1896	499
HME2068	2000	600	800	1896	499
HME2084	2000	800	400	1896	699
HME2085	2000	800	500	1896	699
HME2086	2000	800	600	1896	699
HME2088	2000	800	800	1896	699
HME20105	2000	1000	500	1896	899
HME20106	2000	1000	600	1896	899
HME20108	2000	1000	800	1896	899
HME2246	2200	400	600	2096	299
HME2265	2200	600	500	2096	499
HME2266	2200	600	600	2096	499
HME2285	2200	800	500	2096	699
HME2286	2200	800	600	2096	699
HME2288	2200	800	800	2096	699
HME22105	2200	1000	500	2096	899
HME22106	2200	1000	600	2096	899

Data subject to change without notice