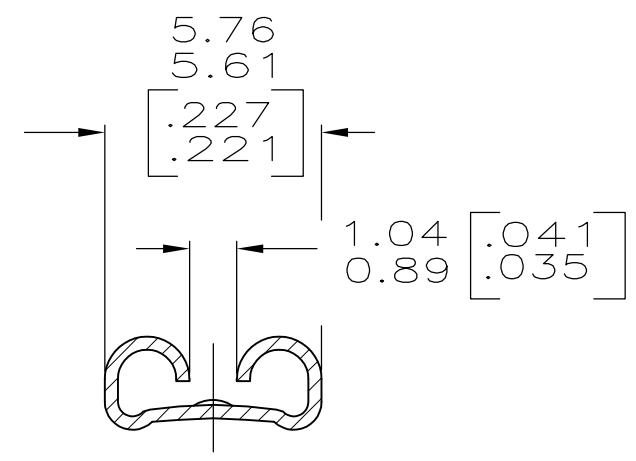
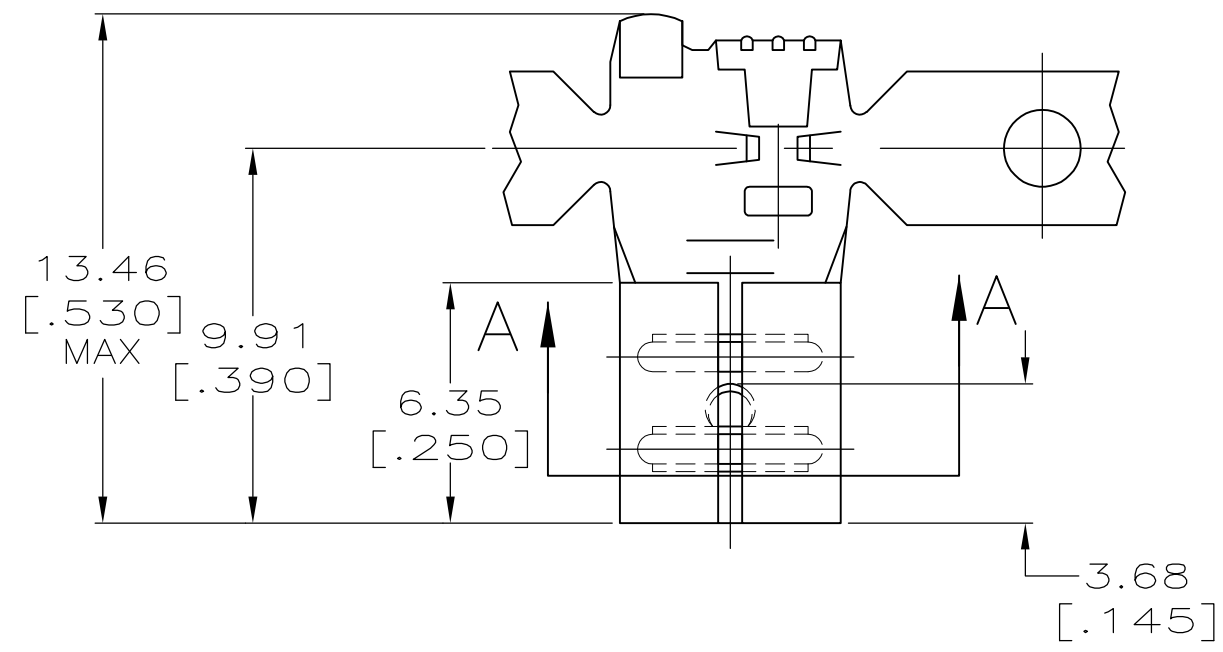


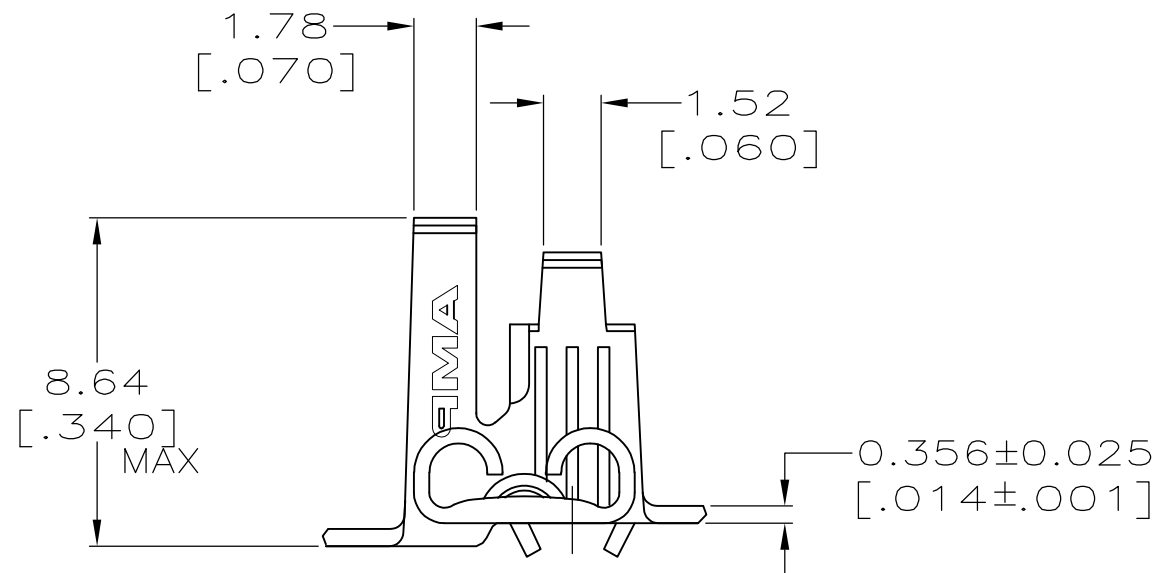
THIS DRAWING IS UNPUBLISHED. RELEASED FOR PUBLICATION  
 © COPYRIGHT - By - ALL RIGHTS RESERVED.

LOC	DIST	REVISIONS			
P	LTR	DESCRIPTION	DATE	DWN	APVD
AF	50	D	REVISED PER ECR-12-013518	26NOV2012	KH PD


- CONTINUOUS STRIP ON REELS.
- WIRE SIZE [#18-#14] AWG.
- INSULATION RANGE 2.79-4.83  
[.110-.190] DIA.
- MATING TAB THK TO BE 0.813±0.025  
[.032±.001].



SECTION A-A



1217027-1  
PART NO.

THIS DRAWING IS A CONTROLLED DOCUMENT.		DWN	JR RUTH	11/17/97	 TE Connectivity RECEPTACLE, FASTON™, FLAG, 4.75 [.187] SERIES	NAME		RESTRICTED TO		
DIMENSIONS: mm [INCHES]		CHK	MS FEHER	11/17/97		PRODUCT SPEC			SIZE	
TOLERANCES UNLESS OTHERWISE SPECIFIED:		APVD	P DESANTIS	11/17/97		APPLICATION SPEC				CAGE CODE
0 PLC ± - 1 PLC ± - 2 PLC ± 0.25 [.010] 3 PLC ± - 4 PLC ± - ANGLES ± -		PRODUCT SPEC		114-2078		DRAWING NO				
MATERIAL		WEIGHT		CUSTOMER DRAWING			SCALE			
BRASS		-		-				SHEET		
FINISH		-		-					REV	
TIN		-		-		1 OF 1				
				A3 00779 C-1217027			D			
								5:1		
									1 OF 1	
						REV				
							D			
								5:1		
									1 OF 1	
						REV				
							D			