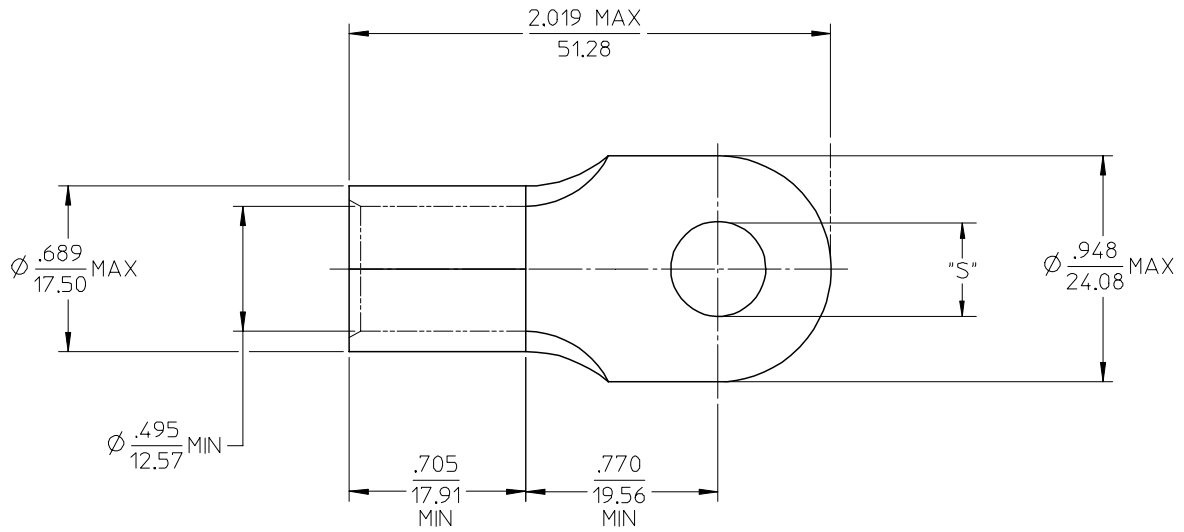


| MATERIAL NO. LOOSE PIECE | ENG. NO. | STUD SIZE | ±.003 "S" | STOCK THICKNESS |
|-----------------------------|----------|--------------|--------------|--------------------|
| 191930342 | J-385-14 | 1/4 | .265 | .083 (2.11) |
| 191930346 | J-385-56 | 5/16 | .328 | |
| 191930345 | J-385-38 | 3/8 | .390 | |
| 191930348 | J-385-76 | 7/16 | .453 | |
| 191930341 | J-385-12 | 1/2 | .515 | |



SALES DRAWING

NOTE(S):
 1. MATERIAL: COPPER
 2. PLATING: ELECTROPLATE TIN
 3. ALL DIMENSIONS IN INCHES/(MM).
 4. WIRE SIZE: 2/0 AWG
 70 MM²

| REVISED/UPDATE TO MX STDS EC NO: ETC2003-0315 DRWN:DMYRICK 2003/08/20 CHKD:HEB 2003/08/21 APPR:RDEROSS 2003/08/21 | DESCRIPTION REV | QUALITY SYMBOLS | GENERAL TOLERANCES (UNLESS SPECIFIED) | SCALE 2:1 | DESIGN UNITS INCH | THIRD ANGLE PROJECTION | REVISE ON CAD ONLY | | | | | | | | | | | | | | | | |
|---|--------------------|--------------------|--|-----------------------------------|------------------------------|------------------------|---|-------|-------|----------|-------|--------|----------|--------|-------|---------|--------|-------|--------------------------|-------|---|--|--|
| | | ▽ = 0 ∇ = 0 | <table border="1"> <thead> <tr> <th></th> <th>mm</th> <th>INCH</th> </tr> </thead> <tbody> <tr> <td>4 PLACES</td> <td>± ---</td> <td>± ---</td> </tr> <tr> <td>3 PLACES</td> <td>± ---</td> <td>± .005</td> </tr> <tr> <td>2 PLACES</td> <td>± 0.13</td> <td>± .01</td> </tr> <tr> <td>1 PLACE</td> <td>± 0.25</td> <td>± ---</td> </tr> </tbody> </table> | | mm | INCH | 4 PLACES | ± --- | ± --- | 3 PLACES | ± --- | ± .005 | 2 PLACES | ± 0.13 | ± .01 | 1 PLACE | ± 0.25 | ± --- | DIMENSION STYLE IN/MM | TITLE | RING TONGUE TERMINAL VERSAKRIMP 2/0 AWG | | |
| | | | mm | INCH | | | | | | | | | | | | | | | | | | | |
| | | 4 PLACES | ± --- | ± --- | | | | | | | | | | | | | | | | | | | |
| 3 PLACES | ± --- | ± .005 | | | | | | | | | | | | | | | | | | | | | |
| 2 PLACES | ± 0.13 | ± .01 | | | | | | | | | | | | | | | | | | | | | |
| 1 PLACE | ± 0.25 | ± --- | | | | | | | | | | | | | | | | | | | | | |
| DRAFT WHERE APPLICABLE MUST REMAIN WITHIN DIMENSIONS | | DRAWN BY DLM | DATE 03/06/13 | MOLEX INCORPORATED (SEE CHART) | | | | | | | | | | | | | | | | | | | |
| | | APPROVED BY RWD | DATE 03/06/13 | MATERIAL NO. (SEE CHART) | DOCUMENT NO. SD-19193-009 | SHEET NO. 1 OF 1 | THIS DRAWING CONTAINS INFORMATION THAT IS PROPRIETARY TO MOLEX INCORPORATED AND SHOULD NOT BE USED WITHOUT WRITTEN PERMISSION | | | | | | | | | | | | | | | | |