

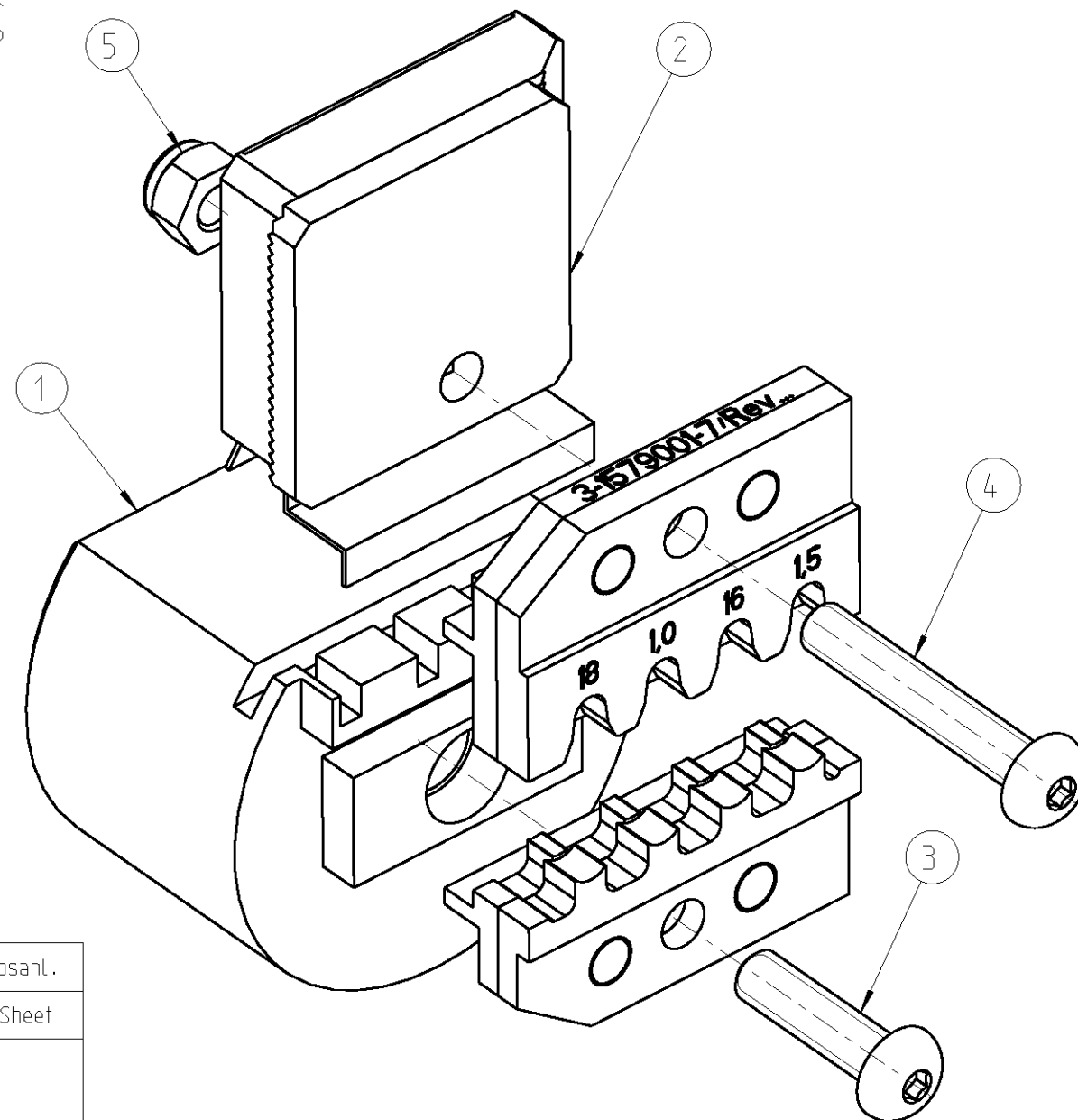
THIS DRAWING IS UNPUBLISHED. RELEASED FOR PUBLICATION 2008
 © COPYRIGHT 2008 BY TYCO ELECTRONICS CORPORATION. ALL RIGHTS RESERVED.

LOC	DIST	REVISIONS			
P	LTR	DESCRIPTION	DATE	DWN	APVD
A1	-				

ERGOCRIMP DIE SET FOR MCON 1.2 CLEAN BODY SWS

Matrize in Kombination mit Ergocrimp Basishandzange TE P/N 539635-1 verwenden
 Use die set in combination with Ergocrimp basis hand tool TE P/N 539635-1

Matrize im Karton mit Bedienungsanleitung 411-18448 verpackt
 Die set packed in a cardboard with instruction sheet 411-18448



3-1579001-7	1	9-0744012-8	Instruction Sheet	Bedienungsanleitung	6
	1	0-0519024-2	Nut M4 DIN 985	Mutter M4 DIN 985	5
	1	1-0519151-3	Screw M4x25	Schraube M4x25	4
	1	1-0519151-1	Screw M4x16	Schraube M4x16	3
	1	8-1579013-1	Locator Assembly	Drahtanschlag	2
	1	8-1579013-0	Contact Locator	Kontaktpositionierer	1
	QTY Stck	TE P/N	Description	Benennung	Pos.

Kontakt	DGB (mm ²)	Drahtcrimp / Wire Crimp		Isolationscrimp / Insulation Crimp		Isol.Ø	Betriebsanl.
Contact	AWG	Hoehe/Height mm	Breite/Width mm	Hoehe/Height mm	Breite/Width mm	Ins.Range	Instr.Sheet
1418851	18	1.11 ±0.05	1.78 F	3.45 max.	3.30 0	1.9-2.4	411-18448
	1.0	1.18 ±0.05					
	16	1.31 ±0.05					
	1.5	1.36 ±0.05					

<small>THIS DRAWING IS A CONTROLLED DOCUMENT FOR TYCO ELECTRONICS CORPORATION IT IS SUBJECT TO CHANGE AND THE CONTROLLING ENGINEERING ORGANIZATION SHOULD BE CONTACTED FOR THE LATEST REVISION.</small>		DWN Ch.Witt	12AUG2008	tyco Electronics AMP GmbH D - 64625 Bensheim	
DIMENSIONS: mm 		CHK -	APVD -	NAME ERGOCRIMP DIE SET FOR MCON 1.2 CLEAN BODY SWS	
TOLERANCES UNLESS OTHERWISE SPECIFIED: 0 PLC ± 1 PLC ± 2 PLC ± 3 PLC ± 4 PLC ± ANGLES ±1°		PRODUCT SPEC -	APPLICATION SPEC -	SIZE A3	RESTRICTED TO -
MATERIAL -		WEIGHT 200 g	CAGE CODE 00779	DRAWING NO C-3-1579001-7	SCALE 2:1
CUSTOMER DRAWING			SHEET 1	OF 1	REV A