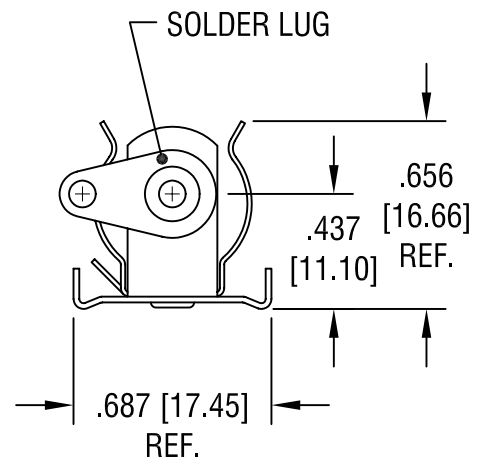
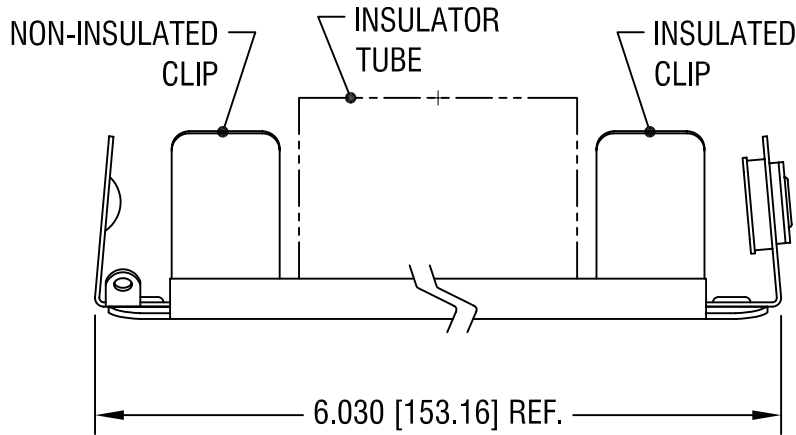
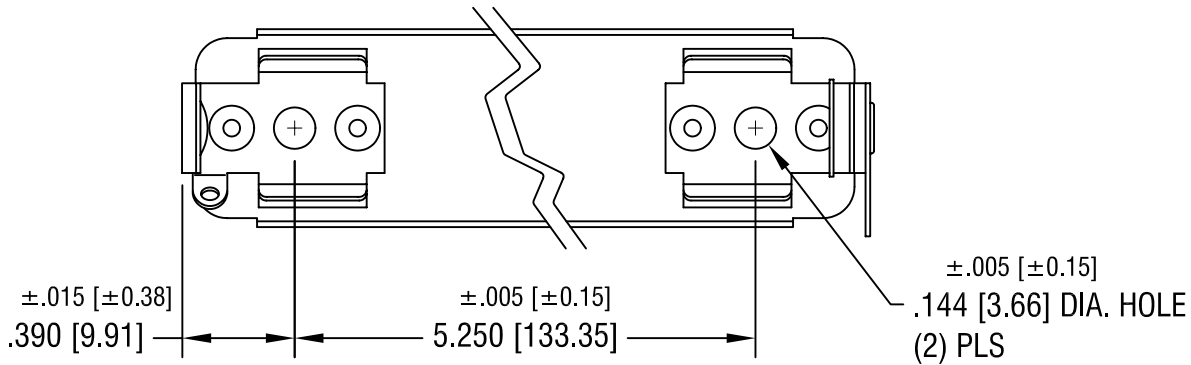


THIS DOCUMENT IS THE PROPERTY OF
KEYSTONE ELECTRONICS CORP. AND
SHALL NOT BE REPRODUCED, DISTRIBUTED
OR USED AS A BASIS FOR MANUFACTURE
WITHOUT PRIOR WRITTEN PERMISSION
FROM KEYSTONE ELECTRONICS CORP.



NOTES:

- 1. BASE: MAT'L - STAINLESS STEEL
- CLIP: MAT'L - SPRING STEEL
- FINISH - NICKEL PLATE
- LUG: MAT'L - BRASS
- FINISH - TIN PLATE
- TUBE: MAT'L - WOUND PAPER, BLACK

KEYSTONE ELECTRONICS CORP.

ASTORIA, N.Y. 11105-2017

PART NAME
NON-INSULATED BATTERY HOLDER, (3) 'AA'

MATERIAL
AS NOTED

FINISH AS NOTED	DRN BY BOONE	DATE 6.12.00
	APPD LN	SCALE 1.5X

TOLERANCES DECIMAL $\pm .010$ [± 0.25] ANGULAR $\pm 1^\circ$ UNLESS OTHERWISE SPECIFIED	CODE C	DWG NO. 1191
--	-----------	------------------------

DATE	DESCRIPTION	REV.