



# PRODUCT DATASHEET

## Konntakt series

last update 18/4/2017

### DETAILS

<b>Product Number</b>	F14988_HEKLA-SOCKET-E
<b>Family</b>	Konntakt
<b>Type</b>	Base part
<b>Color</b>	white
<b>Diameter</b>	44 mm
<b>Height</b>	5,5 mm
<b>Style</b>	round
<b>Optic Material</b>	
<b>Holder Material</b>	PBT
<b>Fastening</b>	screw
<b>Status</b>	production ready
<b>ROHS Compliant</b>	Yes
<b>Date Updated</b>	18/04/2017



### OPTICAL PROPERTIES

LED	Viewing Angle	Light Beam	Efficiency	cd/lm	Connector
V13 Gen6	NA deg	-	-	-	-
V10 Gen6	NA deg	-	-	-	-

H G F E D C B A

4

3

2

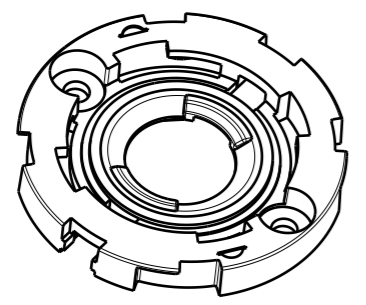
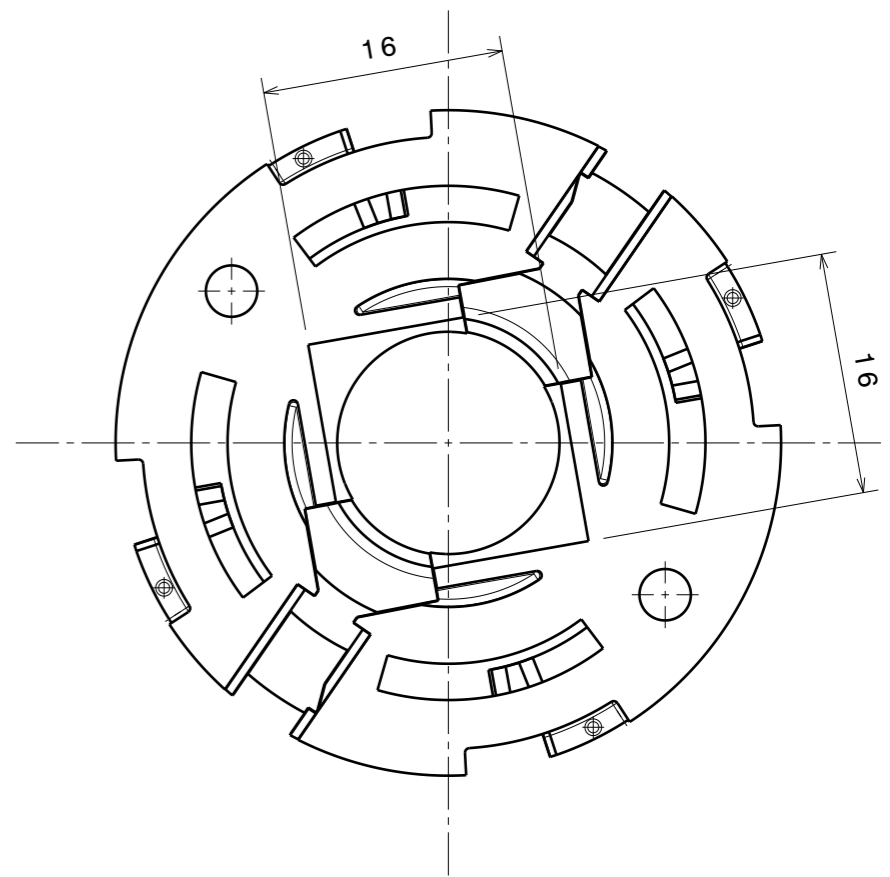
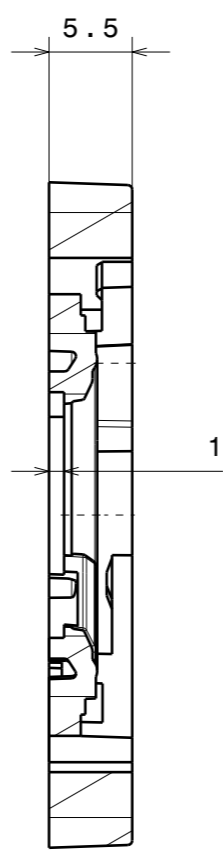
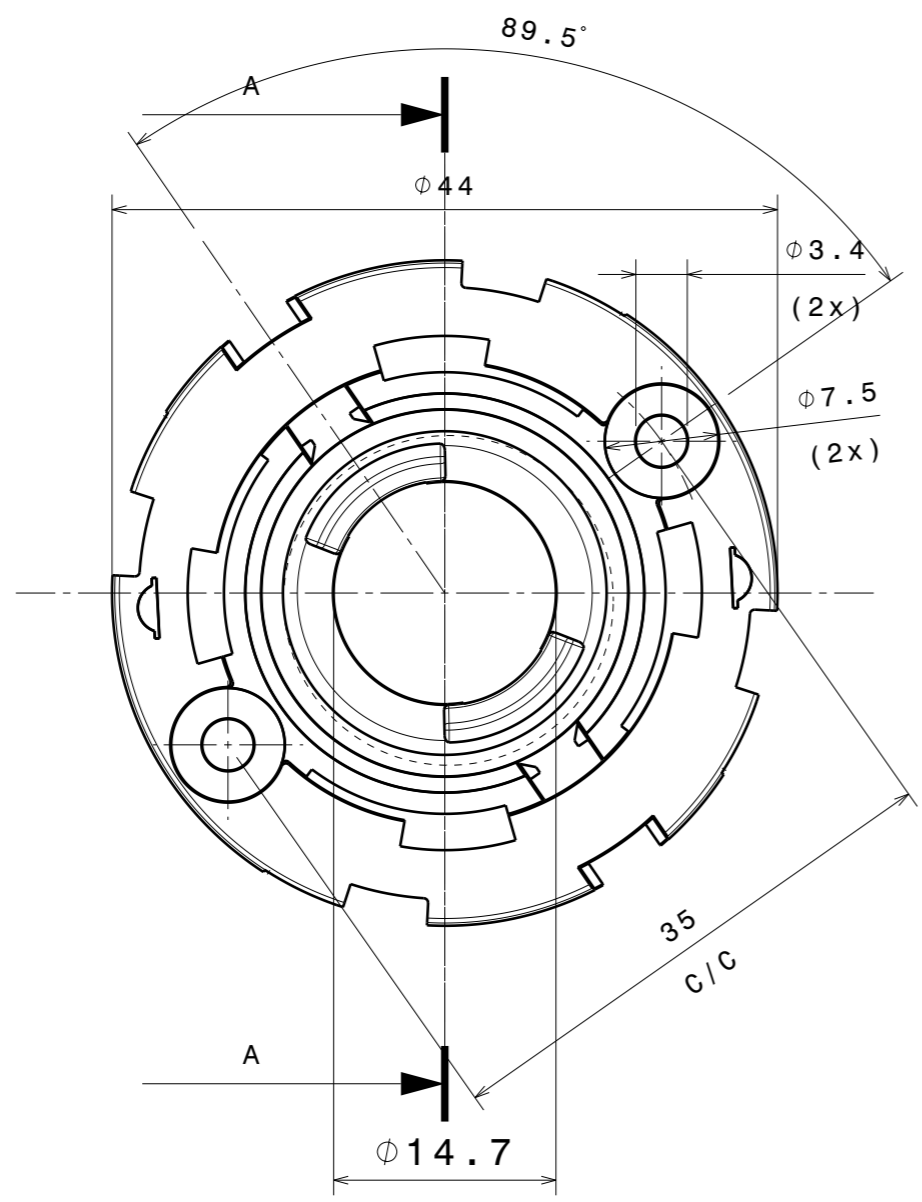
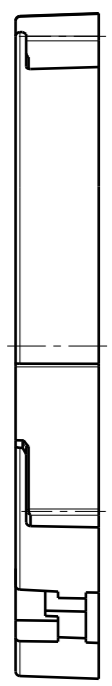
1

4

3

2

1



Isometric view (1:1)

INDEX	PART NO	DESCRIPTION	MATERIAL	COLOUR
1	F14988	SOCKET-E	PBT	White

Tolerances if not otherwise shown  
 According to DIN ISO 2768-1  
 Linear measures:  
 Up to 30mm class M, otherwise class C.  
 According to DIN ISO 2768-2  
 Form and position: class L

**LEDiL** LediL Oy  
 Salorankatu 10  
 FIN 24240 SALO  
 Finland

THIRD ANGLE PROJECTION:

DRAWING TITLE  
 F14988\_SOCKET-E Datasheet

This drawing is the property  
 of LEDiL Oy. It may not be  
 reproduced, copied or  
 communicated without a written  
 agreement with LEDiL Oy.

SIZE	PART NUMBER
A3	F14988

SCALE	WEIGHT	SHEET
2:1	5,6 g	1/1

H G F E D C B A

**NOTE: The typical divergence will be changed by different color, chip size and chip position tolerance. The typical total divergence is the full angle measured where the luminous intensity is half of the peak value.**

### **GENERAL INFORMATION**

- Product series especially designed & optimized for series of LEDs.
- Special care taken to make light distribution as uniform as possible.

Note! Due to use of high power COB's with this product, special attention to proper thermal design is highly recommended. LEDiL has no liability for direct, indirect or consecutive damages arising from the LEDiL products being used outside of the recommended temperature range.