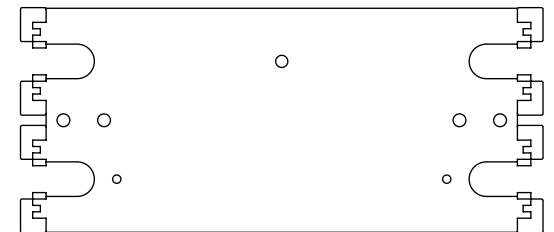
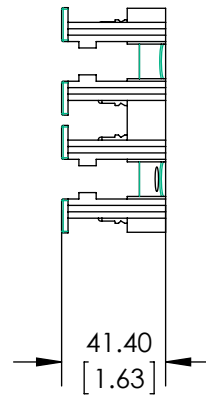
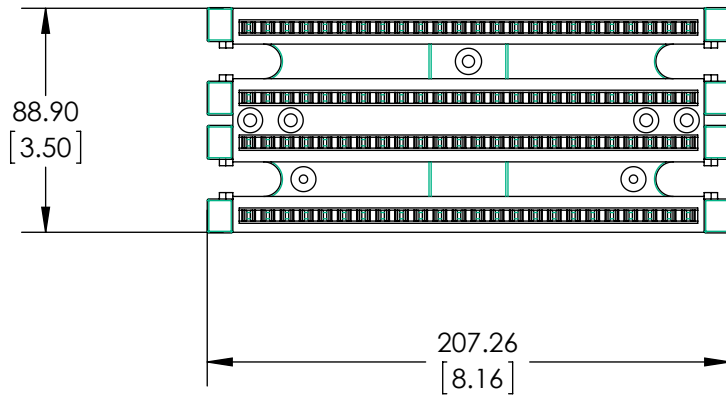
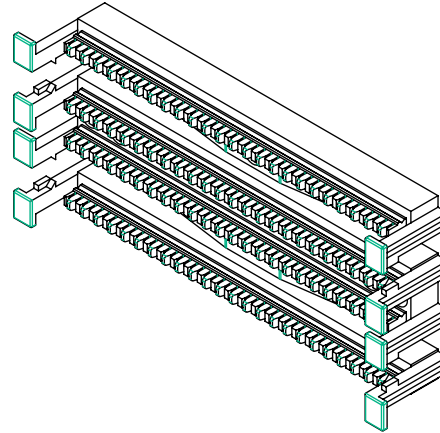
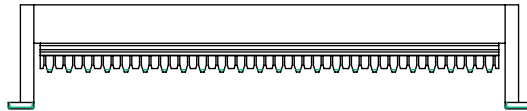


SW2014



Revision level			Revision Record	Changed	Date	Approved	Date
Drawing	State	Part					
00.0	Design Release		SEE ECN# 013472	GRW	6/17/2016	KAC	6/17/2016



Material
POLYCARBONATE

Units: **millimeters**
Dimension without tolerances details to:
.XXX = ±.013
.XX = ±.13
.X = ±.3
None = ±.8
∠ = ±0.5°
Dimension Formatted mm/[in]

The copyright of this drawing is reserved by HellermannTyton. It is issued on condition that it is not reproduced, copied, or disclosed to a third party, either wholly or in part, without the consent of HellermannTyton.

Drawn GRW 6/16/2016
Approved KAC 6/16/2016

HellermannTyton
North America
Email: corp@htamericas.com
Web: www.hellermann.tyton.com

Article/Type-No 853-19238 / T110KIT1005WB

Title **INSTALLATION KIT: CAT5E 100 PAIR BLOCK WITH CLIPS & WITHOUT LEGS**

Drawing-No PRODUCTION : Phase

16-1252-001-CSU

Scale 1:1

Project Number PRP 16-1252

Format AH

Sheet 1/1